




**SKF**®



**PRODUCT  
RANGE  
GUIDELINE**

DISTRIBUTED BY /  **ATHENA**



1

MOTORCYCLE  
PRODUCTS  
**SUSPENSIONS**

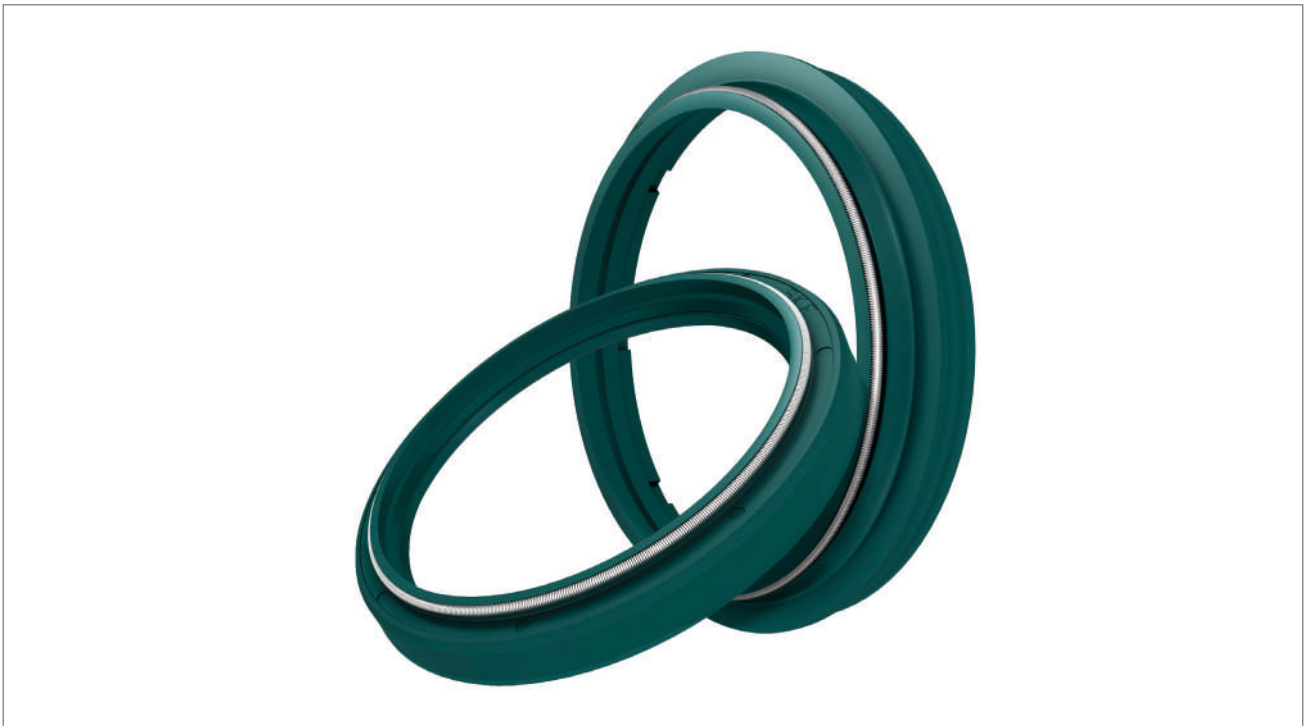
# DUST AND OIL SEALS: GREEN

Included in Each Kit

FORK DIAMETER

PART NUMBERS: **KITG-XX X**

INITIAL OF FORK MANUFACTURER



## 1X OIL SEAL

prevents oil from exiting the fork

## 1X DUST SEAL

the first guard against dirt entering the fork and contaminating the other components in the fork

**NOTE:** the kit allows for installation on a single fork tube. For a complete forks revision, two kits are required.

# DUST AND OIL SEALS: GREEN

Main Benefits & Features

**PART NUMBERS: KITG-XXX**



**REDUCED DYNAMIC FRICTION OF OVER 20%**  
low & constant friction in operation



**REDUCED «STICTION» - STATIC FRICTION:**  
the fork moves more accurately over small bumps and light loads



**IMPROVED FEEL AND SMOOTHNESS:**  
enhanced performance & comfort



**COMPATIBILITY WITH A WIDE RANGE OF  
OE AND AFTERMARKET OILS**

# DUST AND OIL SEALS: GREEN

Main Benefits & Features

**PART NUMBERS: KITG-XXX**



SUPERIOR WATER & DIRT PROTECTION CAPABILITY



REDUCED WEAR & AIR SUCTION



CAPABLE OF WITHSTANDING UV LIGHT



INCREASED LIFE AND PERFORMANCE



# DUST AND OIL SEALS: **BLACK**

Included in Each Kit

FORK DIAMETER

**PART NUMBERS: KITB-XX X**

INITIAL OF FORK MANUFACTURER



## **1X OIL SEAL**

prevents oil from exiting the fork

## **1X DUST SEAL**

the first guard against dirt entering the fork and contaminating the other components in the fork

**NOTE:** the kit allows for installation on a single fork tube. For a complete forks revision, two kits are required.

# DUST AND OIL SEALS: **BLACK**

Main Benefits & Features

**PART NUMBERS: KITB-XXX**



**REDUCED DYNAMIC FRICTION OF OVER 20%**  
low & constant friction in operation



**REDUCED «STICTION» - STATIC FRICTION:**  
the fork moves more accurately over small bumps and light loads



**IMPROVED FEEL AND SMOOTHNESS:**  
enhanced performance & comfort



**COMPATIBILITY WITH A WIDE RANGE OF  
OE AND AFTERMARKET OILS**

NOTE: Mainly for street application

# DUST AND OIL SEALS: **BLACK**

Main Benefits & Features

**PART NUMBERS: KITB-XXX**



SUPERIOR WATER & DIRT PROTECTION CAPABILITY



REDUCED WEAR & AIR SUCTION



CAPABLE OF WITHSTANDING UV LIGHT



INCREASED LIFE AND PERFORMANCE

NOTE: Mainly for street application



# OIL SEALS: **BLACK**

Main Benefits & Features

FORK DIAMETER

**PART NUMBERS: OSB-XX X**

INITIAL OF FORK MANUFACTURER



**REDUCED DYNAMIC FRICTION OF OVER 20%**  
low & constant friction in operation



**REDUCED «STICTION» - STATIC FRICTION:**  
the fork moves more accurately over small bumps and light loads



**IMPROVED FEEL AND SMOOTHNESS:**  
enhanced performance & comfort



**COMPATIBILITY WITH A WIDE RANGE OF  
OE AND AFTERMARKET OILS**

NOTE: Mainly for street application

# DUST AND OIL SEALS: GREEN HEAVY DUTY

Included in Each Kit

FORK DIAMETER

**PART NUMBERS: KITG-XX X-HD**

INITIAL OF FORK MANUFACTURER



## 1X OIL SEAL

prevents oil from exiting the fork

## 1X DUST SEAL

the first guard against dirt entering the fork and contaminating the other components in the fork

## DUAL LIP DESIGN FOR EXTREME SEALING

**NOTE:** the kit allows for installation on a single fork tube. For a complete forks revision, two kits are required.

# DUST AND OIL SEALS: GREEN HEAVY DUTY

Main Benefits & Features

**PART NUMBERS: KITG-XXX-HD**



**DUAL LIP DESIGN FOR EXTREME SEALING**



**REDUCED «STICTION» - STATIC FRICTION:**  
the fork moves more accurately over small bumps and light loads



**IMPROVED FEEL AND SMOOTHNESS:**  
enhanced performance & comfort



**COMPATIBILITY WITH A WIDE RANGE OF  
OE AND AFTERMARKET OILS**

# DUST AND OIL SEALS: GREEN HEAVY DUTY

Main Benefits & Features

**PART NUMBERS: KITG-XXX-HD**



SUPERIOR WATER & DIRT PROTECTION CAPABILITY



REDUCED WEAR & AIR SUCTION



CAPABLE OF WITHSTANDING UV LIGHT



INCREASED LIFE AND PERFORMANCE



# DUST AND OIL SEALS: DUAL COMPOUND

Included in Each Kit

FORK DIAMETER

PART NUMBERS: DUAL-XX X

INITIAL OF FORK MANUFACTURER



## 1X OIL SEAL

prevents oil from exiting the fork

## 1X DUST SEAL

the first guard against dirt entering the fork and contaminating the other components in the fork

**NOTE:** the kit allows for installation on a single fork tube. For a complete forks revision, two kits are required.

# DUST AND OIL SEALS: **DUAL COMPOUND**

Main Benefits & Features

**PART NUMBERS: DUAL-XXX**



TWO NEWLY FORMULATED PROPRIETARY NBR COMPOUNDS MOLDED TOGETHER



SOFTER, MORE FLEXIBLE, with a newly designed sealing lip. It can adapt to imperfections in the fork tube.



TOUGH AND DURABLE better grip and reduced friction

# DUST AND OIL SEALS: **DUAL COMPOUND**

Main Benefits & Features

**PART NUMBERS: DUAL-XXX**



**OPTIMIZED FRICTION & STICK-SLIP:**  
for enhanced vehicle control and performance



**REDUCED «STICTION» - STATIC FRICTION:**  
the fork moves more accurately over small bumps and light loads



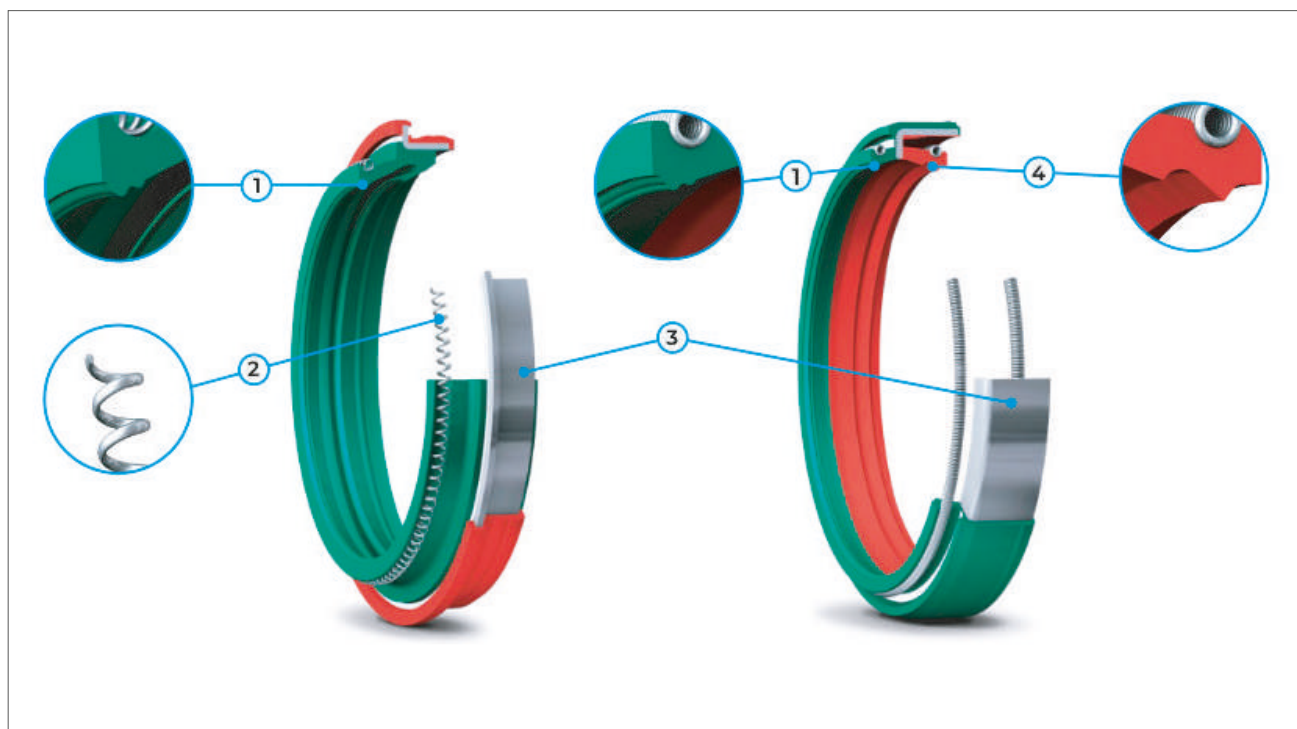
**IMPROVED CONTAMINATION EXCLUSION:**  
better wiping of dirt and reliable protection of the interior fork mechanism



**INCREASED LIFE AND PERFORMANCE**

# DUST AND OIL SEALS: DUAL COMPOUND

## Main Benefits & Features



1

**COMPLETELY REDESIGNED LIPS ON BOTH COMPONENTS** to enhance followability on the shaft and better exclusion.

2

**BRAND NEW OPEN WOUND GARTER SPRING**

allows mud to flow through the spiral for an increased and stable radial load on the lip to optimize contact pattern to the shaft.

The spring is produced with a self-cleaning open coil.

Dirt does not alter the spring load.

Reduced possibility of displacement of the spring from pressure washing.

3

**NEW METAL STAMPING**

Provide structural integrity and proper support to the sealing lips for optimal functionality.

4

**THE PROPRIETARY "SUPER LOW FRICTION" NBR COMPOUND**

is enhanced by the specifically designed lip of the oil seal and has been developed to further reduce the friction and stick-slip under all operating conditions.



# FORK MUD SCRAPER KIT

Included in Each Kit

FORK DIAMETER

**PART NUMBERS: KIT-MS XX X**

INITIALS OF FORK MANUFACTURER



Set of 2 ready-to-fit scrapers made:

- with a new, smart design
- with a SKF proprietary low friction plastic material (X-ECOPUR)

Zinc plated steel cotter pins and spares are included.

While dust seals are designed to wipe, these products are made to scrape. Under extremely muddy conditions, the mud scraper prevents dirt entering the fork and enhances the performance of the other fork components. The design ensures that contamination is not retained within the system.

The products is compatible with both OEM and SKF dust seals.

# FORK MUD SCRAPER KIT

Main Benefits & Features

**PART NUMBERS: KIT-MS XX X**



LOW AND CONSTANT FRICTION



ENHANCED WATER AND DIRT PROTECTION



WITHSTANDS UV LIGHT



REDUCED WEAR: INCREASED FORK SEALS LIFE AND PERFORMANCE

# FORK MUD SCRAPER KIT

Main Benefits & Features

**PART NUMBERS: KIT-MS XX X**



**EFFECTIVELY CLEANS DRIED MUD FROM THE STANCHION**



**EASY, USER FRIENDLY ASSEMBLY**

Can be installed «in-field» without fork or wheel removal. Easy removal and later re-use.



**ENHANCED PERFORMANCE OF THE FORK**

due to reduced contamination seen by the fork seals

# FORK BUSHINGS

Included in Each Kit



## 1X INTERNAL BUSHING

A layer of PTFE is on the inner surface and guide on the inner tube of the fork.

## 1X EXTERNAL BUSHING

A layer of PTFE is on the outer surface and slide on the outer tube the of the fork.

**NOTE:** the kit allows for installation on a single fork tube. For a complete forks revision, two kits are required.



# FORK BUSHINGS

Main Benefits & Features

**PART NUMBERS: VKWA-XXX XX - X**



LOW FRICTIONAL PROPERTIES UNDER SIDE LOAD



HIGH LOAD CARRYING CAPACITY



STABILITY AT WIDE OPERATING TEMPERATURES



SMALL OPERATING CLEARANCE FOR IMPROVED GUIDANCE



DIMENSIONS MARKING FOR A QUICK PRODUCT IDENTIFICATION

# FORK BUSHINGS

## Design Features



**STEEL STRUCTURE** to allow high mechanical strength

**PTFE-BASED SELF-LUBRICATING SLIDING LAYER** permits smooth, low-friction operation for a plush riding feeling.

**INTERMEDIATE THIN BRONZE LAYER** creates a strong bond between the backing and sliding surfaces. It also improves the dissipation of heat generated during operation.

**THE STEEL BACKING IS COPPER-PLATED** to protect the bearing from corrosion.

# SEAL HEAD UNIT 2.0

Main Benefits & Features

DIMS SPECS

**PART NUMBERS: SH2-XXX XXXX**

INITIALS OF FORK MANUFACTURER



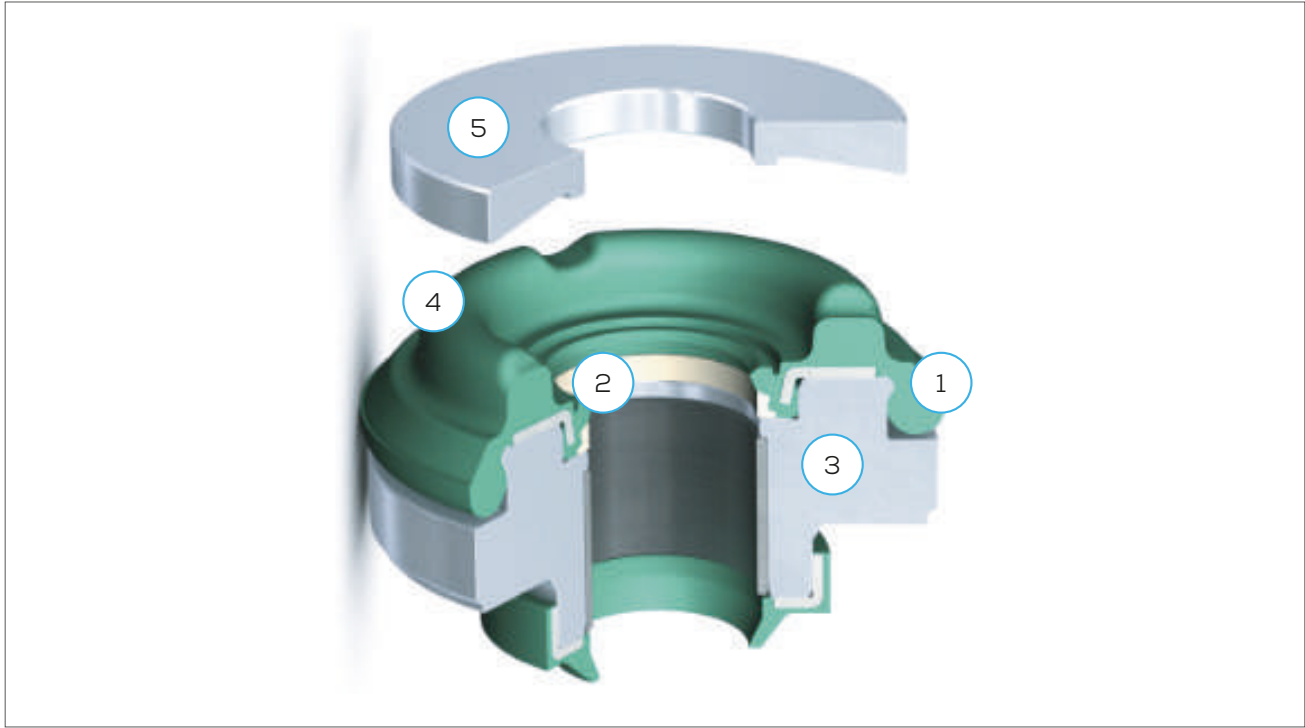
**FULLY INTEGRATED ONE-PART COMPONENT:** compact solution to maximize stroke / minimize shock absorber length

**ONE-PART SOLUTION** facilitates logistic efforts

**SPECIALLY DEVELOPED NEW NBR COMPOUND** suitable for temperatures of  $-40^{\circ}\text{C}$  to  $+140^{\circ}\text{C}$ : robust sealing over a wide temperature range

# SEAL HEAD UNIT 2.0

## Special Design Features



1

**NEW STATIC OUTER DIAMETER SEAL DESIGN** as part of the unit allows easier assembly and removal

2

**PLASTIC BACK-UP RING** supports the main lip and reduces friction and wear under high operating pressure

3

**OPTIMIZED METAL STAMPING** to support all the features

4

**ALL-NEW REBOUND BUMPER** provide smoother kick back and longer service life

5

**BRAND NEW MATING PLATE** with proprietary design included in all kits

# FLOATING PISTON

Included in Each Kit

**PART NUMBERS: FP-WP52**



## 1X FLOATING PISTON

For WP rear shocks

The peculiar design includes one integrated unit which combines the benefits of current solutions on the market.

The SKF Floating Piston is made using the SKF special low friction compound.



# FLOATING PISTON

Main Benefits & Features

**PART NUMBERS: FP-WP52**



**IMPROVED PERFORMANCE** especially reacting to high frequency small bumps absorption



**LOW FRICTION**, ride control and improved comfort due to the reduced friction and rubber membrane



**LONGER SUSPENSION LIFE:** reduced Nitrogen permeation than a bladder solution



**IMPROVED RELIABILITY:** the special sealing lip design reduces oil leakage while the excellent dynamic sealing avoid gas leakage

# FLOATING PISTON

Main Benefits & Features

**PART NUMBERS: FP-WP52**



**INCREASED SENSITIVITY FOR SHOCK ABSORBER TUNING** at the manufacturer as there is less need to compensate for stick-slip and gas permeation over time



**HIGHER RIDER CONFIDENCE** as the rear wheel has more ground contact



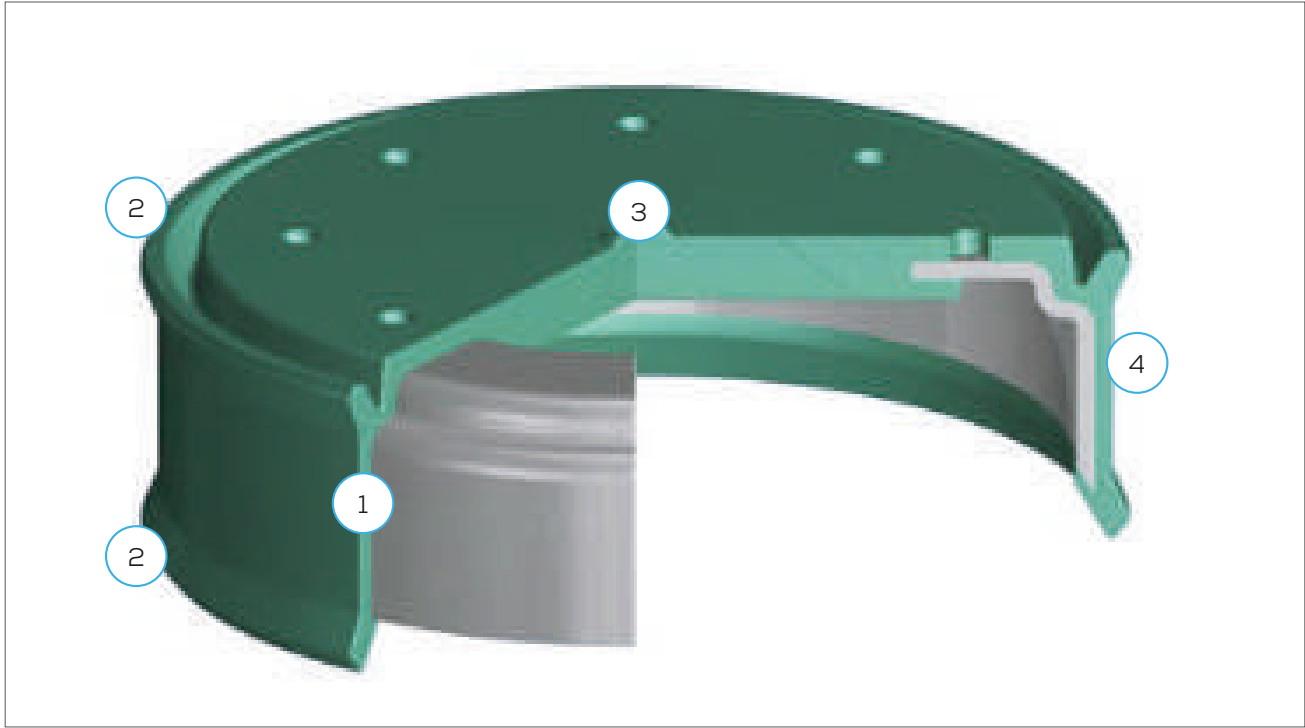
**SIMPLIFIED INSTALLATION AND LOGISTICS** because of one part instead of three



**ADAPT PERFECTLY** to the **OEM WP**

# FLOATING PISTON

## Design Features



1

**INTEGRATED UNIT** with metal stamping and specifically developed HNBR or NBR rubber compound

2

**EXTERNAL SEALING LIPS** against the reservoir walls with reduced friction provide virtually no stick and slip effects

3

**CENTRAL MEMBRANE FUNCTION** to compensate for small amplitude vibrations without the need for the piston to move. This point starts deforming first, anticipating the complete piston movement.

4

Perfect seal and separation between gas and oil due to **SPECIAL COMPOUND CHARACTERISTICS AND LIP DESIGN**





MOTORCYCLE  
PRODUCTS  
**WHEELS**

**SKF**



# WHEEL BEARING KITS

Included in Each Kit

PROGRESSIVE NR

**PART NUMBERS: WB-KIT-XXX X**

F: FRONT / R: REAR



## 2X OR 3X WHEEL BEARINGS

To perfectly replace worn bearings on the wheel hub and keep a precise, safe, and comfortable riding experience



# WHEEL BEARING KITS

Main Benefits & Features

**PART NUMBERS: **WB-KIT-XXX X****



MAXIMUM ROTATION PERFORMANCE



MINIMUM FRICTION FOR ENHANCED DYNAMIC FEELING



RELIABLE CONTAMINATION PROTECTION



HIGH DURABILITY UNDER SEVERE CONDITIONS

# WHEEL SEAL & BEARING KITS

Included in Each Kit

BEARING WHEEL ID NUMBER

**PART NUMBERS: VKWB-XX-XX-X** KIT VARIANT

POSITION

F- : FRONT

R- : REAR

FR : FRONT OR REAR



## 0X OR 2X SEALS

prevents dirt, mud and water from entering in the wheel hub, compromising the bearings efficiency

## 2X, 3X OR 4X WHEEL BEARINGS

To perfectly replace worn bearings on the wheel hub and keep a precise, safe, and comfortable riding experience

# WHEEL SEAL & BEARING KITS

Main Benefits & Features

**PART NUMBERS: VKWB-X-XX-X**



MAXIMUM ROTATION PERFORMANCE



MINIMUM FRICTION FOR ENHANCED DYNAMIC FEELING



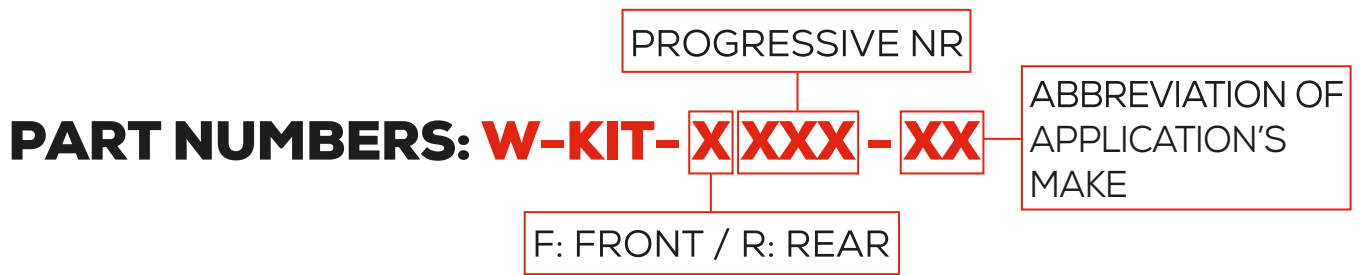
RELIABLE CONTAMINATION PROTECTION



HIGH DURABILITY UNDER SEVERE CONDITIONS

# HEAVY DUTY WHEEL SEAL & SPACER KITS

Included in Each Kit\*



## 2X SEALS

distinguished by its compact size and the distinctive labyrinth lip design.

## 2X SPACERS

Billet machined Ergal 7075 hard anodized provide comprehensive coverage for the seals and exhibit exceptional durability.

\*Please note that the product designation is subject to agreement and potential modification without prior notification.

# HEAVY DUTY WHEEL SEAL, SPACER & BEARING KITS

Included in Each Kit\*

PROGRESSIVE NR

PART NUMBERS: **WSB-KIT-X** **XXX** - **XX**

F: FRONT / R: REAR

ABBREVIATION OF  
APPLICATION'S MAKE



## 2X OR 3X WHEEL BEARINGS

To perfectly replace worn bearings on the wheel hub and keep a precise, safe, and comfortable riding experience.

## 2X SPACERS

Billet machined Ergal 7075 hard anodized provide comprehensive coverage for the seals and exhibit exceptional durability.

## 2X SEALS

distinguished by its compact size and the distinctive labyrinth lip design.

\*Please note that the product designation is subject to agreement and potential modification without prior notification.



# HEAVY DUTY WHEEL SEAL & BEARING KITS

Main Benefits & Features

**PART NUMBERS: W-KIT- X XXX - XX**



INCREASED SEALING EFFICIENCY  
with reduced friction and power loss



Spacers enable IDEAL RUNNING SURFACE  
and sealing performance



**SUPERIOR CONTAMINATION PROTECTION**  
for longer bearing life



RESISTANCE TO HIGH PRESSURE WATER WASH



LONGER SERVICE INTERVALS

# HEAVY DUTY WHEEL SEAL, SPACER & BEARING KITS

Included in Each Kit

**PART NUMBERS: WSB-KIT-X XXX-XX**



INCREASED SEALING EFFICIENCY  
with reduced friction and power loss



Spacers enable IDEAL RUNNING SURFACE  
and sealing performance



SUPERIOR CONTAMINATION PROTECTION  
for longer bearing life



RESISTANCE TO HIGH PRESSURE WATER WASH



LONGER SERVICE INTERVALS





DISCOVER MORE  
ABOUT **SKF** ON

**athena.eu** 

AthenaMotorsport   