



# guarnitauto

Italian Excellence - since 1954



**TRUCKS AND  
COMMERCIAL VEHICLES**  
AUTOCARRI E VEICOLI  
COMMERCIALI

# **CATALOGUE 2022**

## CATALOGO 2022

[www.guarnitauto.com](http://www.guarnitauto.com)

 **TecAlliance**  
Data Supplier



## INDEX

P/N	MAKE	DISPLACEMENT	PAGE
<b>010958-1099</b>	IVECO SOFIM	2798 CC TD 4 CYLINDERS DIAM. 94,4	<b>9</b>
<b>010959-1099</b>	IVECO SOFIM	2798 CC TD 4 CYLINDERS DIAM. 94,4	<b>10</b>
<b>011086-1000</b>	FIAT PROFESSIONAL IVECO F1A	2286 CC 4 CYLINDERS DIAM. 88 JTD 16V	<b>11</b>
<b>011086-1051</b>	FIAT PROFESSIONAL - IVECO F1A	2286 CC 4 CYLINDERS DIAM. 88 JTD 16V	<b>12</b>
<b>031086-1000</b>	FIAT PROFESSIONAL - IVECO F1A	2286 CC 4 CYLINDERS DIAM. 88 JTD 16V	<b>13</b>
<b>011119-1000</b>	FIAT PROFESSIONAL - IVECO F1A	2286 CC 4 CYLINDERS DIAM. 88 JTD 16V	<b>14</b>
<b>031119-1000</b>	FIAT PROFESSIONAL - IVECO F1A	2286 CC 4 CYLINDERS DIAM. 88 JTD 16V	<b>15</b>
<b>011122-1000</b>	FIAT PROFESSIONAL - IVECO F1A	2286 CC 4 CYLINDERS DIAM. 88 JTD 16V	<b>16</b>
<b>031122-1000</b>	FIAT PROFESSIONAL - IVECO F1A	2286 CC 4 CYLINDERS DIAM. 88 JTD 16V	<b>17</b>
<b>030952-1000</b>	FIAT PROFESSIONAL - IVECO PSA GROUP	2999 CC CRTI 4 CYLINDERS DIAM. 95,80 16V	<b>18</b>
<b>050974-1000</b>	CYLINDER HEAD GASKET SET - IVECO	3.0 CC 4 CYLINDERS DIAM. 95,8 DS 16V	<b>19</b>
<b>030953-1000</b>	IVECO TECTOR 4	3920 CC 4 CYLINDERS DIAM. 102 16V	<b>20</b>
<b>030954-1000</b>	IVECO TECTOR 4	3920 CC 4 CYLINDERS DIAM. 102 16V	<b>21</b>
<b>030950-1000</b>	IVECO TECTOR 6	5880 CC CRTI 6 CYLINDERS DIAM. 102 16V	<b>22</b>
<b>030956-1000</b>	IVECO TECTOR 6	5880 CC CRTI 6 CYLINDERS DIAM. 102 16V	<b>23</b>
<b>100960-5250</b>	FPT INDUSTRIAL - CNH INDUSTRIAL IVECO NEF N40 - N45	4485 CC 4 CYLINDERS DIAM. 104	<b>24</b>

P/N	MAKE	DISPLACEMENT	PAGE
<b>100961-5250</b>	FPT INDUSTRIAL -CNH INDUSTRIAL IVECO NEF N60 - N67	6728 CC 6 CYLINDERS DIAM. 104	<b>25</b>
<b>030946-1051</b>	IVECO CURSOR 8	7800 CC TI 6 CYLINDERS DIAM. 115 24V	<b>26</b>
<b>030947-1051</b>	IVECO CURSOR 10	10300 CC TI 6 CYLINDERS DIAM. 125 24V	<b>27</b>
<b>030948-1051</b>	IVECO CURSOR 13	12880 CC TI 6 CYLINDERS DIAM. 135 24V	<b>28</b>
<b>030971-1000</b>	FPT - IVECO INDUSTRIAL CURSOR 9 - TIER 3	8700 6 CYLINDERS ECR-TCA	<b>29</b>
<b>053086-1000</b>	CYLINDER HEAD GASKET SET - MAN	10.500 CC 6 CYL. DS 24V Ø 120	<b>30</b>
<b>053081-1000</b>	CYLINDER HEAD GASKET SET - MAN	10.000 CC 5 CYL. DS 10V Ø 128 12.000 CC 6 CYL. DS 12V Ø 128 14.600 CC 8 CYL. DS 16V Ø 128 15.900 CC 10 CYL. DS 20V Ø 128 21.900 CC 12 CYL. DS 24V Ø 128	<b>31</b>
<b>053088-1000</b>	CYLINDER HEAD GASKET SET - MAN	10.000 CC 5 CYL. DS 10V Ø 128 12.000 CC 6 CYL. DS 12V Ø 128 14.600 CC 8 CYL. DS 16V Ø 128 15.900 CC 10 CYL. DS 20V Ø 128 21.900 CC 12 CYL. DS 24V Ø 128	<b>32</b>
<b>053084-1000</b>	CYLINDER HEAD GASKET SET - MAN	12.000 CC 6 CYL. DS 24V Ø 128	<b>33</b>
<b>053083-1000</b>	CYLINDER HEAD GASKET SET - MAN	12.000 CC 6 CYL. DS 24V Ø 128	<b>34</b>
<b>053056-1051</b>	CYLINDER HEAD GASKET SET - MERCEDES BENZ	9.600 CC 6 CYL. DS 12V Ø 125 15.000 CC 8 CYL. DS 16V Ø 130 18.300 CC 10 CYL. DS 20V Ø 128 22.000 CC 12 CYL. DS 24V Ø 128	<b>35</b>
<b>053089-1000</b>	CYLINDER HEAD GASKET SET - MERCEDES BENZ	12.000 CC 6 CYL. DS 24V Ø 128	<b>36</b>
<b>053063-1000</b>	CYLINDER HEAD GASKET SET - MERCEDES BENZ	12.000 CC 6 CYL. DS 24V Ø 130	<b>37</b>
<b>053087-1000</b>	CYLINDER HEAD GASKET SET - MERCEDES BENZ	12.000 CC 6 CYL. DS 24V Ø 130	<b>38</b>
<b>053091-1000</b>	CYLINDER HEAD GASKET SET - MERCEDES BENZ	4.250 CC 4 CYL. DS 12V Ø 102	<b>39</b>

P/N	MAKE	DISPLACEMENT	PAGE
<b>053092-1000</b>	CYLINDER HEAD GASKET SET - MERCEDES BENZ	4.250 CC 4 CYL. DS 12V Ø 102	<b>40</b>
<b>053093-1000</b>	CYLINDER HEAD GASKET SET - MERCEDES BENZ	6.400 CC 6 CYL. DS 18V Ø 102	<b>41</b>
<b>053094-1000</b>	CYLINDER HEAD GASKET SET - MERCEDES BENZ	6.400 CC 6 CYL. DS 18V Ø 102	<b>42</b>
<b>083091-1000</b>	CRANKCASE GASKET SET - MERCEDES BENZ	4.250 CC 4 CYL. DS 12V Ø 102 6.400 CC 6 CYL. DS 18V Ø 102 4.800 CC 4 CYL. DS 12V Ø 106 7.200 CC 6 CYL. DS 18V Ø 106	<b>43</b>
<b>163091-4410</b>	OIL SUMP GASKET - MERCEDES BENZ	4.250 CC 4 CYL. DS 12V Ø 102 4.801 CC 4 CYL 12V Ø. 106	<b>44</b>
<b>163092-8000</b>	OIL SUMP GASKET - MERCEDES BENZ	4.250 CC 4 CYL. DS 12V Ø 102 4.801 CC 4 CYL 12V Ø. 106	<b>45</b>
<b>163093-4410</b>	OIL SUMP GASKET - MERCEDES BENZ	6.374 CC 6 CYL 18V Ø. 102 7.200 CC 6 CYL 18V Ø. 106	<b>46</b>
<b>163094-8000</b>	OIL SUMP GASKET - MERCEDES BENZ	6.374 CC 6 CYL 18V Ø. 102 7.200 CC 6 CYL 18V Ø. 106	<b>47</b>
<b>054030-1000</b>	CYLINDER HEAD GASKET SET - SCANIA	10.600 CC 6 CYL. DS 24V Ø 127	<b>48</b>
<b>054031-1000</b>	CYLINDER HEAD GASKET SET - SCANIA	10.600 CC 6 CYL. DS 24V Ø 127	<b>49</b>
<b>054025-1000</b>	CYLINDER HEAD GASKET SET - SCANIA	8.900 CC 5 CYL. DS 20V Ø 127 10.600 CC 6 CYL. DS 24V Ø 127 11.700 CC 6 CYL. DS 24V Ø 127 15.600 CC 8 CYL. DS 32 V Ø 127	<b>50</b>
<b>054026-1000</b>	CYLINDER HEAD GASKET SET - SCANIA	8.900 CC 5 CYL. DS 20V Ø 127 10.600 CC 6 CYL. DS 24V Ø 127 11.700 CC 6 CYL. DS 24V Ø 127 15.600 CC 8 CYL. DS 32V Ø 127	<b>51</b>
<b>054040-1000</b>	CYLINDER HEAD GASKET SET - SCANIA	9.300 CC 5 CYL. DS 20V Ø 130 12.700 CC 6 CYL. DS 24V Ø 130	<b>52</b>
<b>054035-1000</b>	CYLINDER HEAD GASKET SET - SCANIA	9.300 CC 5 CYL. DS 20V Ø 130 12.700 CC 6 CYL. DS 24 V Ø 130	<b>53</b>
<b>054848-1000</b>	CYLINDER HEAD GASKET SET -VOLVO TRUCKS - RENAULT TRUCKS	10.800 CC 6 CYL. DS 24V Ø 123	<b>54</b>
<b>054847-1000</b>	CYLINDER HEAD GASKET SET -VOLVO TRUCKS - RENAULT TRUCKS	12.800 CC 6 CYL. DS 24V Ø 131	<b>55</b>



## GUARNITAUTO

Was established in 1954 and today is the brand of Athena Group for the world of passenger cars, industrial vehicles and trucks, offering a wide range of **full, head, conversion sets** and its **loose gaskets** that almost covers the existing automotive market as well as a range of **cylinder head bolts**.

Guarnitauto is **certified OEM supplier**, an important characteristic indeed, which enables to transfer all the expertise gained working for OEM to the IAM. Guarnitauto offers **premium quality** products which meet the Automotive extremely demanding quality standards.

As **IVECO specialist**, we offer a complete range of **gasket sets which follow OEM features**, rigorously tested and designed leveraging a variety of technologies that ensure maximum sealing in every condition.

All Guarnitauto products are now uploaded also on **TecDoc** web portal, the most important automotive online spare parts database for distributors and mechanics.



## GUARNITAUTO TECHNOLOGY

**More than 60 years of experience** in producing gaskets for endothermic engines, enabled Guarnitauto to reach **cutting-edge quality level**, obtained thanks to a qualified staff and technologically advanced equipment.

The production working schedule is complete: **technical preparation** of the product, **shearing, assembling, silicone beading, impregnation, inspection** and **packaging** of the products. A continuous investment is assuring to get a leader position all over the world. A great team-work for a service improving day by day.

Our **range of articles** and our production system are **constantly enlarged and improved** to satisfy the rising requests of metal and rubber-metal gaskets, studied to resist the growing thermodynamical stress of the most modern and performant engines.

## SERVICES

Guarnitauto has provided a **smooth and reliable logistic system** and creates an uncompromising link between the acquisition of the raw material and the delivery to the final customer.

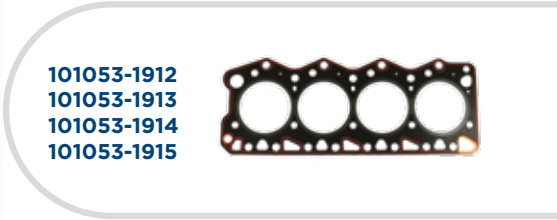
We supply **more than 50 countries** with a tight net of selected quality spare specialists.







# 010958-1099 IVECO SOFIM



## ENGINES\* | MOTORI\*

**8140.43S**

### DISPLACEMENT

2,798 cc TD

### CYLINDERS

4

### DIAMETER

94,4 mm

## MODELS\* | MODELLI\*

**IVECO**

DAILY III 29L13 - 35C-S 13V - 40C13 - 50C13

DESCRIPTION	P/N	CROSS REFERENCES				
		OE	RNZ	EK	LE.MA	PY
FULL SET WITHOUT H.G. WITH OIL SEALS	<b>010958-1099</b> <sup>A</sup>	500366171	01-33956-03	198.820	40055.01	
HEAD SET WITHOUT H.G. WITH OIL SEALS	<b>040958-1099</b> <sup>A</sup>	500366181	02-33956-02	198.830	46055.01	
HEAD GASKET TH. 1,2 MM	<b>101053-1912</b>	2997799 / 99432354		863.080	10045.00	BX391
HEAD GASKET TH. 1,3 MM	<b>101053-1913</b>	99432353	61-33950-00	863.110	10046.00	BX401
HEAD GASKET TH. 1,4 MM	<b>101053-1914</b>	99460983	61-33950-10	863.120	10047.00	BX411
HEAD GASKET TH. 1,5 MM	<b>101053-1915</b>	99458402	61-33950-20	863.130	10048.00	BX421

<sup>A</sup> Head gasket not included

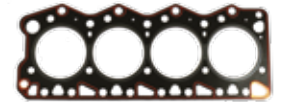
010959-1099  
**IVECO SOFIM**



040959-1099



101053-1912  
101053-1913  
101053-1914  
101053-1915



**ENGINES\* | MOTORI\***

**8140.43B - C**

**DISPLACEMENT**

2798 cc TD

**CYLINDERS**

4

**DIAMETER**

94,4 mm

**MODELS\* | MODELLI\***

**IVECO**

DAILY III 29L11 - 29L11V - 35C11 - 35S11  
DAILY III 35C11V - 35S11V - 50C11

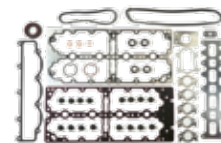
DESCRIPTION	P/N	CROSS REFERENCES				
		OE	RNZ	EK	LE.MA	PY
FULL SET WITHOUT H.G. WITH OIL SEALS	<b>010959-1099</b> <sup>A</sup>	500366511	01-33951-10	198.860	40055.01	GX390
HEAD SET WITHOUT H.G. WITH OIL SEALS	<b>040959-1099</b> <sup>A</sup>	500366528		198.930	46055.01	DX391
HEAD GASKET TH. 1,2 MM	<b>101053-1912</b>	2997799 / 99432354		863.080	10045.00	BX391
HEAD GASKET TH. 1,3 MM	<b>101053-1913</b>	99432353	61-33950-00	863.110	10046.00	BX401
HEAD GASKET TH. 1,4 MM	<b>101053-1914</b>	99460983	61-33950-10	863.120	10047.00	BX411
HEAD GASKET TH. 1,5 MM	<b>101053-1915</b>	99458402	61-33950-20	863.130	10048.00	BX421

<sup>A</sup> Head gasket not included in the set

# 011086-1000 FIAT PROFESSIONAL IVECO F1A



041086-1000



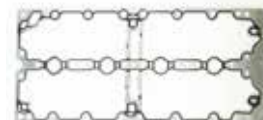
101086-5251  
101086-5252  
101086-5253



111086-6212



111086-8500



161086-8000



## ENGINES\* | MOTORI\*

F1AE0481 - B-C-D-E-G-HA

### DISPLACEMENT

2,286 cc JTD 16V

### CYLINDERS

4

### DIAMETER

88 mm

## MODELS\* | MODELLI\*

### FIAT

N. DUCATO 2.3 JTD 16V RESTYLING 2001-2006  
N. DUCATO MY 2006 120-130 2.3 D MULTIJET 16V  
N. DUCATO RUSSIA 2008 2.3 JTD-EGR 16V -  
N. DUCATO MY 2011 110-150 2.3 JTD-EGR 16V

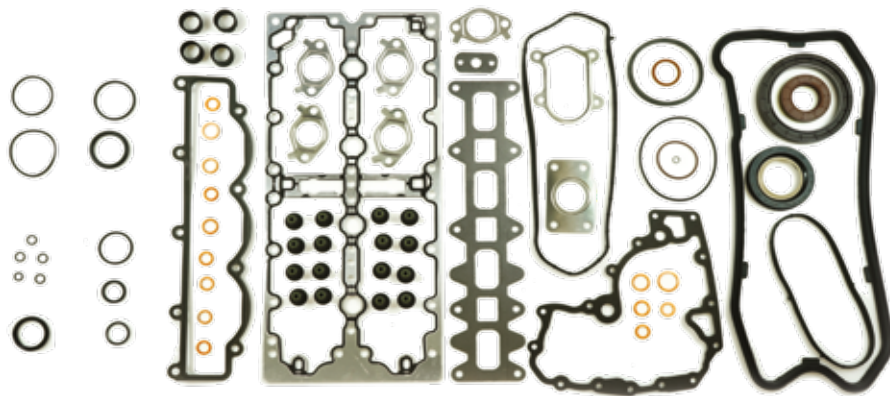
### IVECO

DAILY III 29L10-12-14- 35C-S10 - 35C-S12 - 35C-S14 - 40C10-12 2.3 D 16V  
DAILY IV 35S14 - DAILY V 29L11-13-15 - 35C11-13-15 2.3 D 16V  
DAILY V 35S11-13 - 40C11-13-15 - 40S13 - 50C15 2.3 D 16V

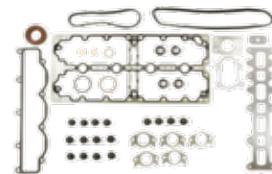
DESCRIPTION	P/N	CROSS REFERENCES				
		OE	RNZ	EK	LE.MA	PY
FULL SET WITHOUT H.G. WITH OIL SEALS	<b>011086-1000</b>		01-37551-01			
HEAD SET WITHOUT H.G. WITH OIL SEALS	<b>041086-1000</b>		02-37551-01		46056.02	
MLS HEAD GASKET TH. 1,1 MM 1 NOTCH	<b>101086-5251</b>	500387067	61-37080-00	389.430	10061.02	AB5720
MLS HEAD GASKET TH. 1,2 MM 2 NOTCHES	<b>101086-5252</b>	500387068	61-37080-10	389.440	10061.00	AB5730
MLS HEAD GASKET TH. 1,3 MM 3 NOTCHES	<b>101086-5253</b>	500387069	61-37080-20	389.450	10061.01	AB5740
CYLINDER HEAD COVER UP TO ENGINE 133428	<b>111086-8500</b> <sup>A</sup>	504019494	71-37551-00	431.620	20054.00	JM5201
CYLINDER HEAD COVER FROM ENGINE 133429	<b>111086-6212</b> <sup>A</sup>	504052452	71-37453-00	718.220	20054.01	JM5202
OIL SUMP	<b>161086-8000</b>	504018307	71-37549-00	505.450	25058.01	JH5077

<sup>A</sup> Both cylinder head covers included in the set

# 011086-1051 FIAT PROFESSIONAL IVECO F1A



**041086-1051**



**101086-5251  
101086-5252  
101086-5253**



**111086-8500**



**161086-8000**



## ENGINES\* | MOTORI\*

**F1AE0481 - B-C-D-E-G-HA ( UP TO ENGINE 133428 )**

### DISPLACEMENT

2.286 cc JTD 16V

### CYLINDERS

4

### DIAMETER

88 mm

## MODELS\* | MODELLI\*

### FIAT

N. DUCATO 2.3 JTD 16V RESTYLING 2001-2006  
N. DUCATO MY 2006 120-130 2.3 D MULTIJET 16V  
N. DUCATO RUSSIA 2008 2.3 JTD-EGR 16V -  
N. DUCATO MY 2011 110-150 2.3 JTD-EGR 16V

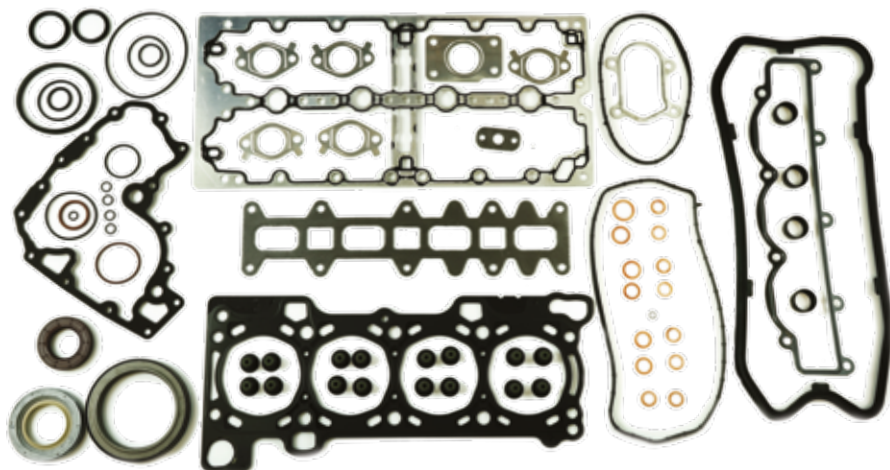
### IVECO

DAILY III 29L10-12-14- 35C-S10 - 35C-S12 - 35C-S14 - 40C10-12 2.3 D 16V  
DAILY IV 35S14 - DAILY V 29L11-13-15 - 35C11-13-15 2.3 D 16V  
DAILY V 35S11-13 - 40C11-13-15 - 40S13 - 50C15 2.3 D 16V

DESCRIPTION	P/N	CROSS REFERENCES				
		OE	RNZ	EK	LE.MA	PY
FULL SET WITHOUT H.G. WITH OIL SEALS	<b>011086-1051</b>			332.690		
HEAD SET WITHOUT H.G. WITH OIL SEALS	<b>041086-1051</b>			431.500		
MLS HEAD GASKET TH. 1,1 MM 1 NOTCH	<b>101086-5251</b>	500387067	61-37080-00	389.430	10061.02	AB5720
HEAD GASKET TH. 1,2 MM 2 NOTCHES	<b>101086-5252</b>	500387068	61-37080-10	389.440	10061.00	AB5730
MLS HEAD GASKET TH. 1,3 MM 3 NOTCHES	<b>101086-5253</b>	500387069	61-37080-20	389.450	10061.01	AB5740
CYLINDER HEAD COVER	<b>111086-8500</b>	504019494	71-37551-00	431.620	20054.00	JM5201
OIL SUMP	<b>161086-8000</b>	504018307	71-37549-00	505.450	25058.01	JH5077



# 031086-1000 FIAT PROFESSIONAL IVECO F1A



051086-1000



101086-5251  
101086-5252  
101086-5253



111086-8500



161086-8000



## ENGINES\* | MOTORI\*

F1AE0481 - B-C-D-E-G-HA ( UP TO ENGINE 133428 )

### DISPLACEMENT

2,286 cc JTD 16V

### CYLINDERS

4

### DIAMETER

88 mm

## MODELS\* | MODELLI\*

### FIAT

N. DUCATO 2.3 JTD 16V RESTYLING 2001-2006  
N. DUCATO MY 2006 120-130 2.3 D MULTIJET 16V  
N. DUCATO RUSSIA 2008 2.3 JTD-EGR 16V -  
N. DUCATO MY 2011 110-150 2.3 JTD-EGR 16V

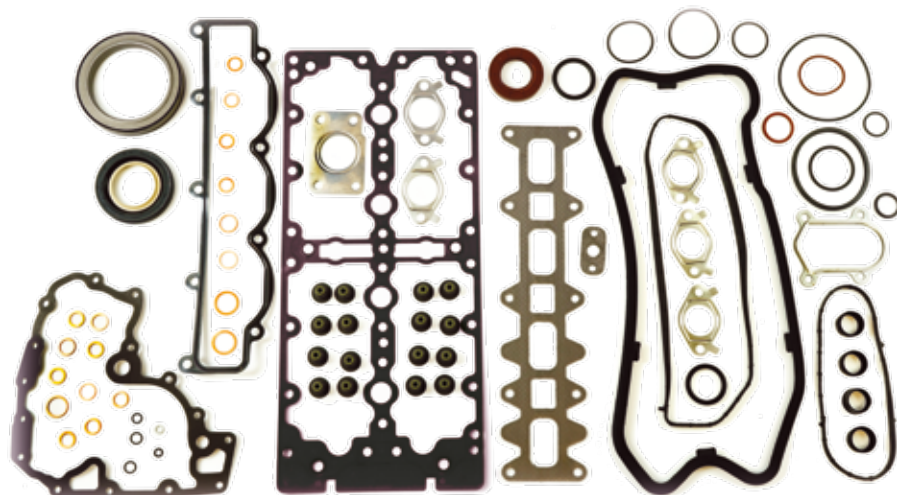
### IVECO

DAILY III 29L10-12-14- 35C-S10 - 35C-S12 - 35C-S14 - 40C10-12 2.3 D 16V  
DAILY IV 35S14 - DAILY V 29L11-13-15 - 35C11-13-15 2.3 D 16V  
DAILY V 35S11-13 - 40C11-13-15 - 40S13 - 50C15 2.3 D 16V

DESCRIPTION	P/N	CROSS REFERENCES				
		OE	RNZ	EK	LE.MA	PY
FULL SET WITH H.G. MLS TH. 1,2 MM AND OIL SEALS	<b>031086-1000</b>	504049360				
HEAD SET WITH H.G. MLS TH. 1,2 MM AND OIL SEALS	<b>051086-1000</b>	2995609		452.700		
MLS HEAD GASKET TH. 1,1 MM 1 NOTCH	<b>101086-5251</b> <sup>A</sup>	500387067	61-37080-00	389.430	10061.02	AB5720
HEAD GASKET TH. 1,2 MM 2 NOTCHES	<b>101086-5252</b>	500387068	61-37080-10	389.440	10061.00	AB5730
MLS HEAD GASKET TH. 1,3 MM 3 NOTCHES	<b>101086-5253</b> <sup>A</sup>	500387069	61-37080-20	389.450	10061.01	AB5740
CYLINDER HEAD COVER	<b>111086-8500</b>	504019494	71-37551-00	431.620	20054.00	JM5201
OIL SUMP	<b>161086-8000</b>	504018307	71-37549-00	505.450	25058.01	JH5077

<sup>A</sup> Head gasket not included

# 011119-1000 FIAT PROFESSIONAL IVECO F1A



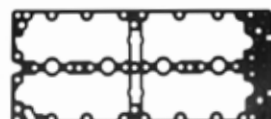
041119-1000



101086-5251  
101086-5252  
101086-5253



111086-6212



161086-8000



## ENGINES\* | MOTORI\*

F1AE0481 - B-C-D-E-G-HA ( FROM ENGINE 133429 TO 307801 )

### DISPLACEMENT

2.286 cc JTD 16V

### CYLINDERS

4

### DIAMETER

88 mm

## MODELS\* | MODELLI\*

### FIAT

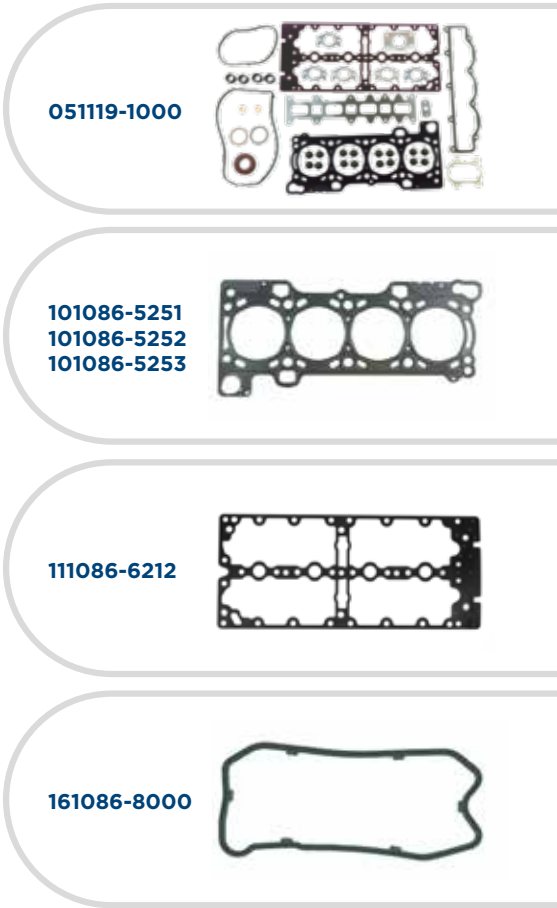
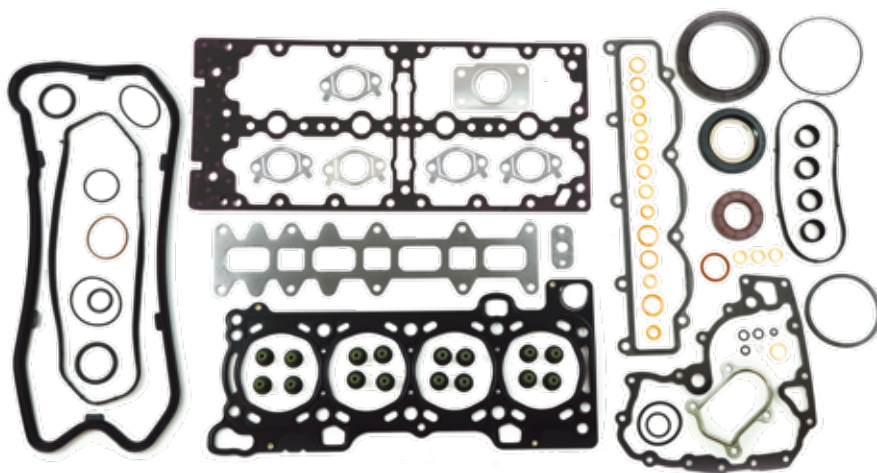
N. DUCATO 2.3 JTD 16V RESTYLING 2001-2006  
N. DUCATO MY 2006 120-130 2.3 D MULTIJET 16V  
N. DUCATO RUSSIA 2008 2.3 JTD-EGR 16V -  
N. DUCATO MY 2011 110-150 2.3 JTD-EGR 16V

### IVECO

DAILY III 29L10-12-14- 35C-S10 - 35C-S12 - 35C-S14 - 40C10-12 2.3 D 16V  
DAILY IV 35S14 - DAILY V 29L11-13-15 - 35C11-13-15 2.3 D 16V  
DAILY V 35S11-13 - 40C11-13-15 - 40S13 - 50C15 2.3 D 16V

DESCRIPTION	P/N	CROSS REFERENCES				
		OE	RNZ	EK	LE.MA	PY
FULL SET WITHOUT H.G. WITH OIL SEALS	<b>011119-1000</b>		01-37551-01	733.540	40056.01	FB5722
HEAD SET WITHOUT H.G. WITH OIL SEALS	<b>041119-1000</b>		02-37551-01	733.530	46056.01	CB5720
MLS HEAD GASKET TH. 1,1 MM 1 NOTCH	<b>101086-5251</b>	500387067	61-37080-00	389.430	10061.02	AB5720
MLS HEAD GASKET TH. 1,2 MM 2 NOTCHES	<b>101086-5252</b>	500387068	61-37080-10	389.440	10061.00	AB5730
MLS HEAD GASKET TH. 1,3 MM 3 NOTCHES	<b>101086-5253</b>	500387069	61-37080-20	389.450	10061.01	AB5740
CYLINDER HEAD COVER	<b>111086-6212</b>	504052452	71-37453-00	718.220	20054.01	JM5202
OIL SUMP	<b>161086-8000</b>	504018307	71-37549-00	505.450	25058.01	JH5077

# 031119-1000 FIAT PROFESSIONAL IVECO F1A



## ENGINES\* | MOTORI\*

F1AE0481 - B-C-D-E-G-HA ( FROM ENGINE 133429 TO 307801 )

### DISPLACEMENT

2.286 cc JTD 16V

### CYLINDERS

4

### DIAMETER

88 mm

## MODELS\* | MODELLI\*

### FIAT

N. DUCATO 2.3 JTD 16V RESTYLING 2001-2006  
N. DUCATO MY 2006 120-130 2.3 D MULTIJET 16V  
N. DUCATO RUSSIA 2008 2.3 JTD-EGR 16V -  
N. DUCATO MY 2011 110-150 2.3 JTD-EGR 16V

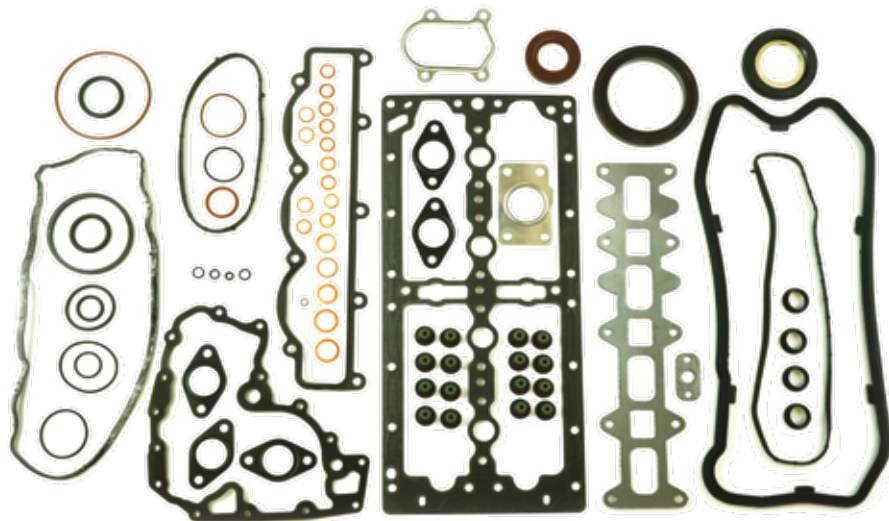
### IVECO

DAILY III 29L10-12-14- 35C-S10 - 35C-S12 - 35C-S14 - 40C10-12 2.3 D 16V  
DAILY IV 35S14 - DAILY V 29L11-13-15 - 35C11-13-15 2.3 D 16V  
DAILY V 35S11-13 - 40C11-13-15 - 40S13 - 50C15 2.3 D 16V

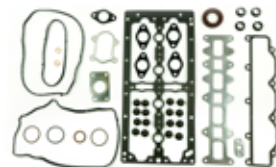
DESCRIPTION	P/N	CROSS REFERENCES				
		OE	RNZ	EK	LE.MA	PY
FULL SET WITH H.G. MLS 1,2 MM AND OIL SEALS	<b>031119-1000</b>	8097798 - 2996248	01-37551-01 + 61-37080-10	733.540 + 389.440	38056.01	FB5722 + AB5730
HEAD SET WITH H.G. MLS 1,2 MM AND OIL SEALS	<b>051119-1000</b>	2996088	02-37551-01 + 61-37080-10	733.530 + 389.440	44056.1	CB5720 + AB5730
MLS HEAD GASKET TH. 1,1 MM 1 NOTCH	<b>101086-5251</b> ^	500387067	61-37080-00	389.430	10061.02	AB5720
HEAD GASKET TH. 1,2 MM 2 NOTCHES	<b>101086-5252</b>	500387068	61-37080-10	389.440	10061.00	AB5730
MLS HEAD GASKET TH. 1,3 MM 3 NOTCHES	<b>101086-5253</b> ^	500387069	61-37080-20	389.450	10061.01	AB5740
CYLINDER HEAD COVER	<b>111086-6212</b>	504052452	71-37453-00	718.220	20054.01	JM5202
OIL SUMP	<b>161086-8000</b>	504018307	71-37549-00	505.450	25058.01	JH5077

^ Head gasket not included

# 011122-1000 FIAT PROFESSIONAL IVECO F1A



041122-1000



101086-5251  
101086-5252  
101086-5253



111086-5304



161086-8000



## ENGINES\* | MOTORI\*

**F1AE0481 - B-C-D-E-G-HA ( FROM ENGINE 307802 )**

### DISPLACEMENT

2.286 cc JTD 16V

### CYLINDERS

4

### DIAMETER

88 mm

## MODELS\* | MODELLI\*

### FIAT

N. DUCATO 2.3 JTD 16V RESTYLING 2001-2006  
N. DUCATO MY 2006 120-130 2.3 D MULTIJET 16V  
N. DUCATO RUSSIA 2008 2.3 JTD-EGR 16V -  
N. DUCATO MY 2011 110-150 2.3 JTD-EGR 16V

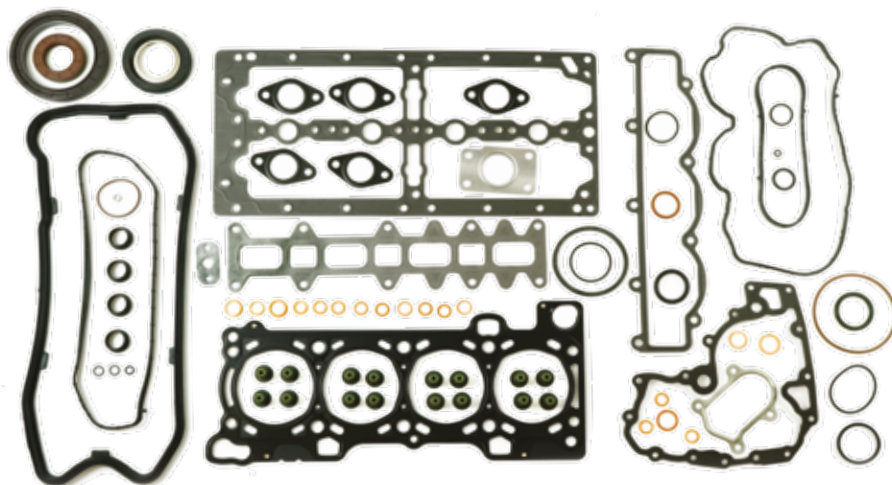
### IVECO

DAILY III 29L10-12-14- 35C-S10 - 35C-S12 - 35C-S14 - 40C10-12 2.3 D 16V  
DAILY IV 35S14 - DAILY V 29L11-13-15 - 35C11-13-15 2.3 D 16V  
DAILY V 35S11-13 - 40C11-13-15 - 40S13 - 50C15 2.3 D 16V

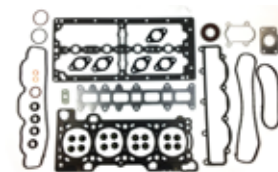
DESCRIPTION	P/N	CROSS REFERENCES				
		OE	RNZ	EK	LE.MA	PY
FULL SET WITHOUT H.G. WITH OIL SEALS	<b>011122-1000</b>					
HEAD SET WITHOUT H.G. WITH OIL SEALS	<b>041122-1000</b>					
MLS HEAD GASKET TH. 1,1 MM 1 NOTCH	<b>101086-5251</b>	500387067	61-37080-00	389.430	10061.02	AB5720
HEAD GASKET TH. 1,2 MM 2 NOTCHES	<b>101086-5252</b>	500387068	61-37080-10	389.440	10061.00	AB5730
MLS HEAD GASKET TH. 1,3 MM 3 NOTCHES	<b>101086-5253</b>	500387069	61-37080-20	389.450	10061.01	AB5740
CYLINDER HEAD COVER	<b>111086-5304</b>	504095295		718.220		
OIL SUMP	<b>161086-8000</b>	504018307	71-37549-00	505.450	25058.01	JH5077



# 031122-1000 FIAT PROFESSIONAL IVECO F1A



051122-1000



101086-5251  
101086-5252  
101086-5253



111086-5304



161086-8000



## ENGINES\* | MOTORI\*

F1AE0481 - B-C-D-E-G-HA ( FROM ENGINE 307802 )

### DISPLACEMENT

2,286 cc JTD 16V

### CYLINDERS

4

### DIAMETER

88 mm

## MODELS\* | MODELLI\*

### FIAT

N. DUCATO 2.3 JTD 16V RESTYLING 2001-2006  
N. DUCATO MY 2006 120-130 2.3 D MULTIJET 16V  
N. DUCATO RUSSIA 2008 2.3 JTD-EGR 16V -  
N. DUCATO MY 2011 110-150 2.3 JTD-EGR 16V

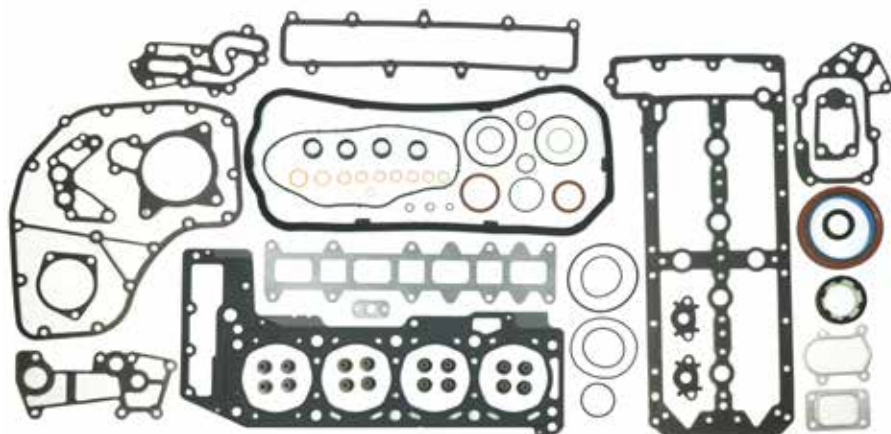
### IVECO

DAILY III 29L10-12-14- 35C-S10 - 35C-S12 - 35C-S14 - 40C10-12 2.3 D 16V  
DAILY IV 35S14 - DAILY V 29L11-13-15 - 35C11-13-15 2.3 D 16V  
DAILY V 35S11-13 - 40C11-13-15 - 40S13 - 50C15 2.3 D 16V

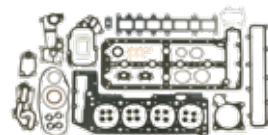
DESCRIPTION	P/N	CROSS REFERENCES				
		OE	RNZ	EK	LE.MA	PY
FULL SET WITH H.G. MLS 1,2 MM AND OIL SEALS	<b>031122-1000</b>	8097789				
HEAD SET WITH H.G. MLS 1,2 MM AND OIL SEALS	<b>051122-1000</b>					
MLS HEAD GASKET TH. 1,1 MM 1 NOTCH	<b>101086-5251</b> <sup>A</sup>	500387067	61-37080-00	389.430	10061.02	AB5720
HEAD GASKET TH. 1,2 MM 2 NOTCHES	<b>101086-5252</b>	500387068	61-37080-10	389.440	10061.00	AB5730
MLS HEAD GASKET TH. 1,3 MM 3 NOTCHES	<b>101086-5253</b> <sup>A</sup>	500387069	61-37080-20	389.450	10061.01	AB5740
CYLINDER HEAD COVER	<b>111086-5304</b>	504095295		718.220		
OIL SUMP	<b>161086-8000</b>	504018307	71-37549-00	505.450	25058.01	JH5077

<sup>A</sup> Head gasket not included

# 030952-1000 FIAT PROFESSIONAL - IVECO PSA GROUP



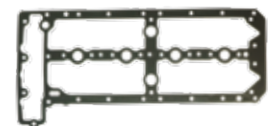
050952-1000



100952-5200  
100952-5211 <sup>A</sup>  
100952-5213 <sup>A</sup>



110951-5304



160951-8000



## ENGINES\* | MOTORI\*

FICE0481D - FA - HA - HC - E4  
F30DT

### DISPLACEMENT

2.999 cc CRTI 16V

### CYLINDERS

4

### DIAMETER

95,80 mm

## MODELS\* | MODELLI\*

### PSA GROUP

CITROEN JUMPER III 155-160 3.0 HDI 16V  
PEUGEOT BOXER 3.0 HDI 16V

### FIAT PROFESSIONAL

DUCATO 150-160 MULTIJET 3.0 D 16V

### IVECO

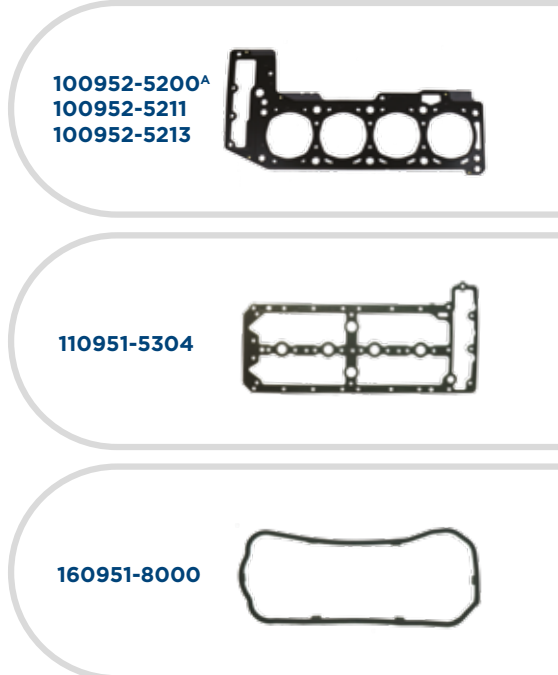
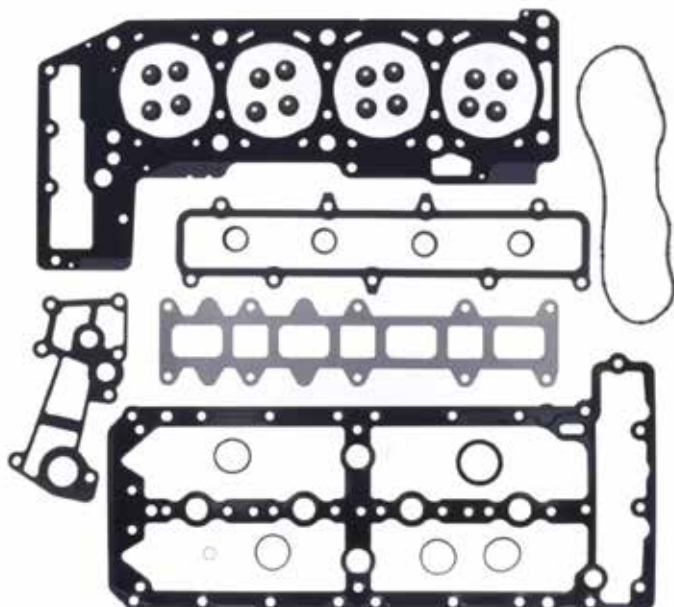
DAILY IV MY 2006 35C14-35C15-35C17-35C18-35S18 3.0 TD 16V  
DAILY IV MY 2006 40C15-40C18-45C15-45C18-50C15-50C18 3.0 TD 16V  
DAILY IV MY 2006 60C15-60C18-65C14-65C15-65C18-70C14 3.0 TD 16V

DESCRIPTION	P/N	CROSS REFERENCES				
		OE	RNZ	EK	LE.MA	PY
FULL SET WITH H.G. MLS 1,2 MM AND OIL SEALS	<b>030952-1000</b>	2996103 - 8094874	01-36885-06		38056.06	
HEAD SET WITH H.G. MLS 1,2 MM AND OIL SEALS	<b>050952-1000</b>	2996102 - 8094873	02-36885-05	390.610	44056.06	
MLS HEAD GASKET TH. 1,2 MM	<b>100952-5200</b>	504093499	61-36885-10	340.260	10061.06	AG6060
MLS HEAD GASKET TH. 1,1 MM	<b>100952-5211 <sup>A</sup></b>	504093500	61-36885-00	589.110	10061.07	AG6050
MLS HEAD GASKET TH. 1,3 MM	<b>100952-5213 <sup>A</sup></b>	504093501	61-36885-20	590.080	10061.08	AG7300
CYLINDER HEAD COVER	<b>110951-5304</b>	504047676 504161187	71-38371-00	351.260	20054.05	JM7108
OIL SUMP	<b>160951-8000</b>	504083813	71-38202-00	548.200	25058.05	

<sup>A</sup> Head gasket not included

050974-1000

# CYLINDER HEAD GASKET SET - KIT GUARNIZIONI TESTATA IVECO (EURO 5)



## ENGINES\* | MOTORI\*

F1CE3481C  
F1CE3481L

### DISPLACEMENT

3.0 CC 4 CYL. DS 16V Ø 95,8

## MODELS\* | MODELLI\*

### IVECO

DAILY IV 35C14 - 35C14/P - 35C14V/P - 35S14  
DAILY IV 40C14 - 40C14V - 40C14V/P - 40C14DK  
DAILY IV 45C14 - 45 14/P - 50C14 - 50C14/P - 50C14CK - 50C14V  
DAILY IV 60C14 - 60C14/P - 60C14DK - 65C14 - 65C14V -  
65C14V/P - 65 C14DK  
DAILY IV 70C14 - 70C14V - 70C14V/P - 70C14DK  
DAILY V 35C17 - 35C17D - 35C17DKP - 35C17V - 35S17  
DAILY V 40C15 - 40C17 - 40C17V - 45C15 - 45C17  
DAILY V 50C15CV - 50C17 - 50C17V - 50C17K 60C15V - 60C15K - 60C17  
DAILY V 65C15V - 65C17 - 65C17DK - 70C15K - 70C17K

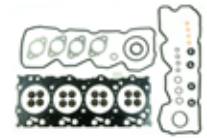
DESCRIPTION	P/N	CROSS REFERENCES				
		OE	RNZ	EK	LE.MA	PY
GASKET SET, CYLINDER HEAD, WITH MLS C.H.G., W/ OIL SEALS	<b>050974-1000</b>	2996892	02-36885-04	390.750	44056.07	
GASKET, CYLINDER HEAD, MLS, 1,2 MM	<b>100952-5200<sup>A</sup></b>	504093499	61-36885-10	340.260	10061.06	AG6060
GASKET, CYLINDER HEAD, MLS, 1,1 MM	<b>100952-5211</b>	504093500	61-36885-00	589.110	10061.07	AG6050
GASKET, CYLINDER HEAD, MLS, 1,3 MM	<b>100952-5213</b>	504093501	61-36885-20	590.080	10061.08	AG7300
GASKET, CYLINDER HEAD COVER	<b>110951-5304</b>	504047676 - 504161187	71-38371-00	351.260	20054.05	JM7108
GASKET, OIL SUMP	<b>160951-8000</b>	504083813	71-38202-00	548.200	25058.05	

<sup>A</sup> **Cylinder head gasket, MLS, 1.2 mm, included in the set** - Guarnizione testata, MLS, 1,2 mm, inclusa nel kit

# 030953-1000 IVECO TECTOR 4



050953-1000



100949-5200



110954-0000



120954-8000



160949-8000



## ENGINES\* | MOTORI\*

F4AE0481 A-C-D ( FROM ENGINE 8180 )

### DISPLACEMENT

3.920 cc 16V

### CYLINDERS

4

### DIAMETER

102 mm

## MODELS\* | MODELLI\*

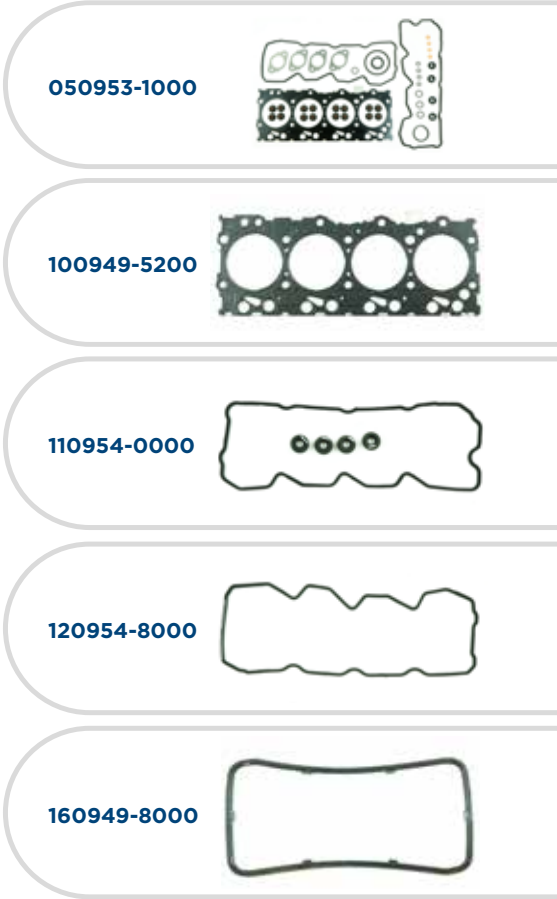
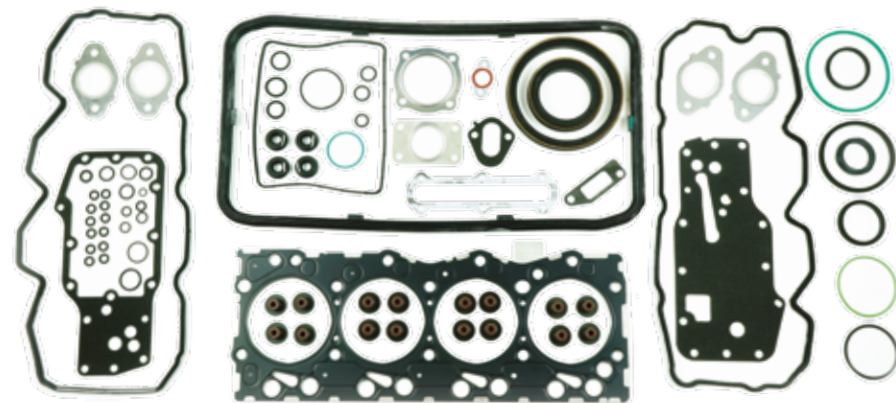
### IVECO

TECTOR 60-65 E13 - 60-65 E15 - 75E13 - E15 - 75E17-E18  
TECTOR 80E17-E18-EL17 - 90E17-E18  
TECTOR 100 E17- 120 EL17 - 120 E18  
TECTOR EUROFIRE 75 E15

DESCRIPTION	P/N	CROSS REFERENCES				
		OE	RNZ	EK	LE.MA	PY
FULL SET WITH H.G. AND OIL SEALS	<b>030953-1000</b>	500055012 - 2992640	01-36410-02		38600.02	
HEAD SET WITH H.G.	<b>050953-1000</b>	2992638 - 2995782	02-36410-04		44600.02	
MLS HEAD GASKET	<b>100949-5200</b>	2830706	61-36410-00	845.900	10127.00	AG9510
UPPER CYLINDER HEAD COVER SET	<b>110954-0000</b>	504070037 + 504070041 (4X)	15-40408-01		20102.07	
LOWER CYLINDER HEAD COVER	<b>120954-8000</b>	504070039	71-40407-00		20102.02	
OIL SUMP	<b>160949-8000</b>	4897877	71-36834-00		25118.00	JH5175



# 030954-1000 IVECO TECTOR 4



## ENGINES\* | MOTORI\*

**F4AE3481 A-B-C-D**

### DISPLACEMENT

3.920 cc 16V

### CYLINDERS

4

### DIAMETER

102 mm

## MODELS\* | MODELLI\*

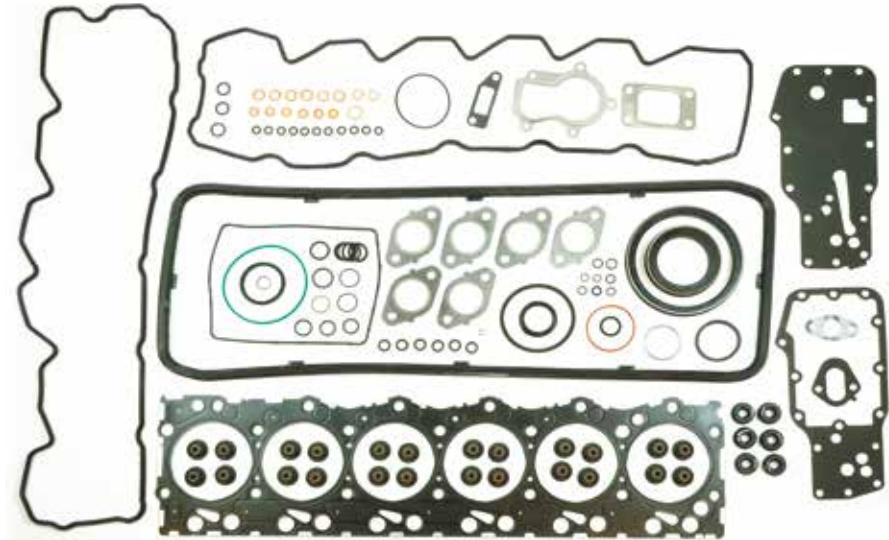
**IVECO**

TECTOR 75 E14-E16-E18 - 80 E18 EUROFIRE E4  
 TECTOR 100 E17-E18-E25W EUROFIRE - 120 E18-E22 EUROFIRE E4  
 TECTOR 140 E18-E25-E25 EUROFIRE E4  
 TECTOR 180 E25-E28-E30 E4

DESCRIPTION	P/N	CROSS REFERENCES				
		OE	RNZ	EK	LE.MA	PY
FULL SET WITH H.G. AND OIL SEALS	<b>030954-1000</b>	2995783	01-36410-01		38600.02	
HEAD SET WITH H.G.	<b>050953-1000</b>	2992638 - 2995782	02-36410-04		44600.02	
MLS HEAD GASKET	<b>100949-5200</b>	2830706	61-36410-00	845.900	10127.00	AG9510
UPPER CYLINDER HEAD COVER SET	<b>110954-0000</b>	504070037 + 504070041 (4X)	15-40408-01		20102.07	
LOWER CYLINDER HEAD COVER	<b>120954-8000</b>	504070039	71-40407-00		20102.02	
OIL SUMP	<b>160949-8000</b>	4897877	71-36834-00		25118.00	JH5175

\*Find out our complete range: [www.athena.eu](http://www.athena.eu) | \*Per ulteriori informazioni consultate il catalogo online nel nostro sito: [www.athena.eu](http://www.athena.eu)

# 030950-1000 IVECO TECTOR 6



050956-1000



100950-5200



110956-0000



120955-8000



160950-8000



## ENGINES\* | MOTORI\*

F4AE0681 E3 FROM ENGINE 9480 - UNTIL 2005

### DISPLACEMENT

5.880 cc CRTI 16V

### CYLINDERS

6

### DIAMETER

102 mm

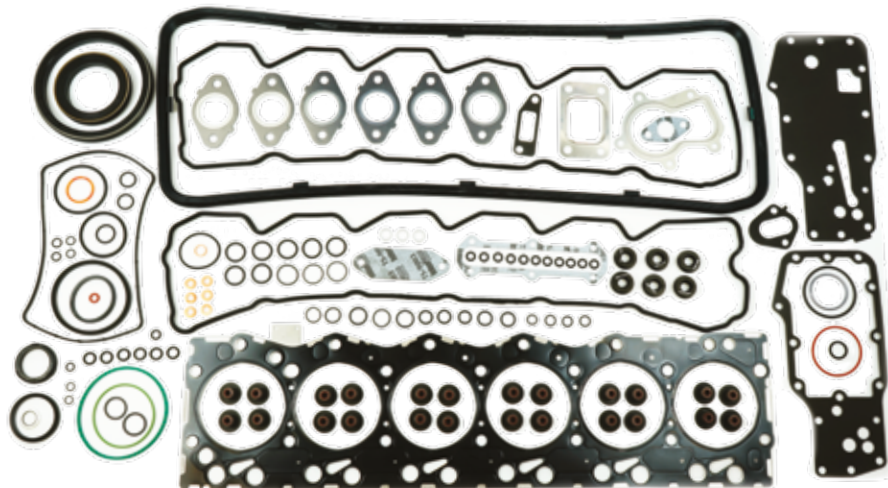
## MODELS\* | MODELLI\*

### IVECO

TECTOR 75 - 130 - 140 - 150 E18 - 110 - 120 - 130 - 150 - 180 E21  
TECTOR 130 - 140 - 150 - 180 - E24-E28 - 260 E28-KE-T  
TECTOR EUROFIRE 100 E21 - 130 - 140 E24 - 140 - 150 E28

DESCRIPTION	P/N	CROSS REFERENCES				
		OE	RNZ	EK	LE.MA	PY
FULL SET WITH H.G. AND OIL SEALS	<b>030950-1000</b>	500055016 - 2992644	01-36415-01		38600.07	
HEAD SET WITH H.G.	<b>050956-1000</b>	2995643	02-36415-03		44600.07	
MLS HEAD GASKET	<b>100950-5200</b>	2830704 - 503622592	61-36415-10		10127.10	AG9530
UPPER CYLINDER HEAD COVER SET	<b>110956-0000</b>	504070038 + 504070041 (4X)	15-40334-01		20102.17	
LOWER CYLINDER HEAD COVER	<b>120955-8000</b>	504070040	71-40409-00		20102.11	
OIL SUMP	<b>160950-8000</b>	4897861	71-36927-00	122.070	25118.05	JH5176

# 030956-1000 IVECO TECTOR 6



050956-1000



100950-5200



110956-0000



120955-8000



160950-8000



## ENGINES\* | MOTORI\*

F4AE 3681 E4 FROM 2005 TO 2008  
F4AE 3681 E5 FROM 2008 TO 2013

### DISPLACEMENT

5.880 cc CRTI 16V

### CYLINDERS

6

### DIAMETER

102 mm

## MODELS\* | MODELLI\*

### IVECO

TECTOR 120 E22 - 140 E25-28 - 150 E30 - 160ME22-25-28 (2005-2008)  
TECTOR 180ME25-28-30 (2005-2008)  
TECTOR 110 E22-E22W - 140 E22-E25-E28 - 150 E22-25 (2008-2013)  
TECTOR 160 E22-E25 -E28-E30 - 180 E25-E28-E30 (2008-2013)  
TECTOR EUROFIRE 140 E25-E30W - 150 E25-30W - 160 E30 (2005-2008)

DESCRIPTION	P/N	CROSS REFERENCES				
		OE	RNZ	EK	LE.MA	PY
FULL SET WITH H.G. AND OIL SEALS	<b>030956-1000</b>	2996182	01-36415-02		38600.08	
HEAD SET WITH H.G.	<b>050956-1000</b>	2995643	02-36415-03		44600.07	
MLS HEAD GASKET	<b>100950-5200</b>	2830704 - 503622592	61-36415-10		10127.10	AG9530
UPPER CYLINDER HEAD COVER SET	<b>110956-0000</b>	504070038 + 504070041 (4X)	15-40334-01		20102.17	
LOWER CYLINDER HEAD COVER	<b>120955-8000</b>	504070040	71-40409-00		20102.11	
OIL SUMP	<b>160950-8000</b>	4897861	71-36927-00	122.070	25118.05	JH5176

\*Find out our complete range: [www.athena.eu](http://www.athena.eu) | \*Per ulteriori informazioni consultate il catalogo online nel nostro sito: [www.athena.eu](http://www.athena.eu)

100960-5250

**FPT INDUSTRIAL - CNH INDUSTRIAL  
- IVECO NEF N40 - N45**



**ENGINES\* | MOTORI\***

**AGRICULTURAL - INDUSTRIAL - MARINE ENGINE NEF4 TYPE  
ISB4-QSB4**

**DISPLACEMENT**

—  
4.485 cc

**CYLINDERS**

—  
4

**DIAMETER**

—  
104 mm

**MODELS\* | MODELLI\***

F4BE0454A-G - F4BE0484F - F4CE0404A-B -  
F4CE0454A-C - F4CE9484F-M  
F4GE0404-0405-0406-0407A - F4GE0454A-B-C-E -  
F4GE0457A - F4GE0484C  
F4GE0485-0487A - F4GE9454C-H-J-K - F4GE9455A-B -  
F4GE9484D-F-J  
GENEF100M-MA-RA - GENE45-60-75-85M-MA -  
N40MNTE21 - N40MNAA85  
N45MNAF40 - N45MNA10 - N45MNAU00 -  
N45MNAS85-86 ECC

DESCRIPTION	P/N	CROSS REFERENCES				
		OE	RNZ	EK	LE.MA	PY
MLS HEAD GASKET	100960-5250	2830919				



100961-5250

**FPT INDUSTRIAL - CNH INDUSTRIAL - IVECO NEF N60 - N67****ENGINES\* | MOTORI\*****AGRICULTURAL - INDUSTRIAL - MARINE ENGINE NEF6 TYPE  
ISB6-QSB6 - AUTOMOTIVE****DISPLACEMENT**

6.728 cc

**CYLINDERS**

6

**DIAMETER**

104 mm

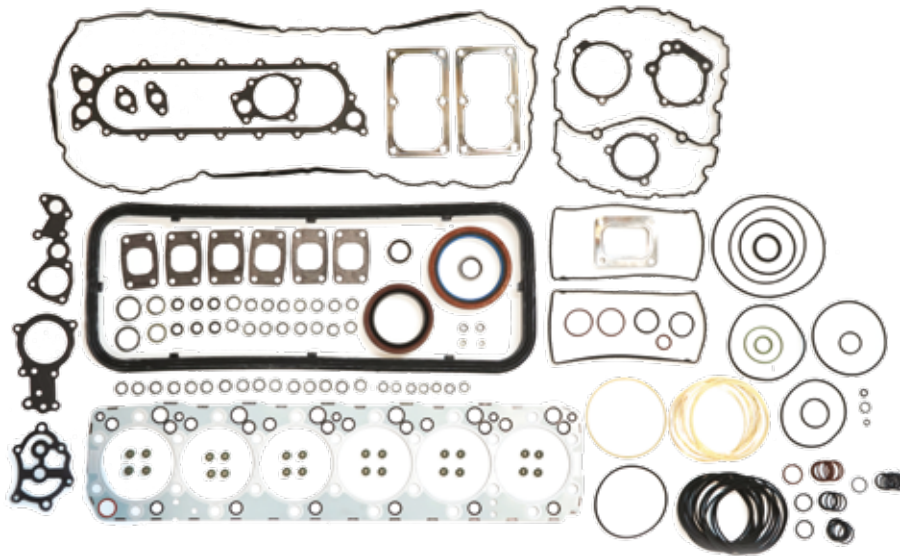
**MODELS\* | MODELLI\***

F4BE0641-0647A - F4BE0684C-D - F4CE9684H-J-K-L-  
N-P - F4GE0604-0606A  
F4GE0655B - F4GE0684C-E-G-Q-R-S - F4GE0685B-D -  
F4GE0686-0687A  
F4GE9684A-B-D-E-F-J-K-P - F4GE9685A - GENE125-130-  
160M-MA - N60MNTG26  
N67MNAE00 - N67MNAM - N67MNSI - N67MNSM22 -  
N67MNATA20-65-66  
N67MNTD20-21-23 - N67MNTE20-21-60-61 - N67MNTM28 -  
N67MNTU20 ECC.

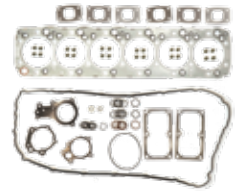
DESCRIPTION	P/N	CROSS REFERENCES				
		OE	RNZ	EK	LE.MA	PY
MLS HEAD GASKET	<b>100961-5250</b>	2830922			10127.14	

\*Find out our complete range: [www.athena.eu](http://www.athena.eu) | \*Per ulteriori informazioni consultate il catalogo online nel nostro sito: [www.athena.eu](http://www.athena.eu)

# 030946-1051 IVECO CURSOR 8



**050946-1051**



**100946-5200**



**110946-8000**



**160946-8000**



## ENGINES\* | MOTORI\*

F2BE0681 A-B-C-D-E-F - F2BE3681 A-C

### DISPLACEMENT

7.800 cc TI 24V

### CYLINDERS

6

### DIAMETER

115 mm

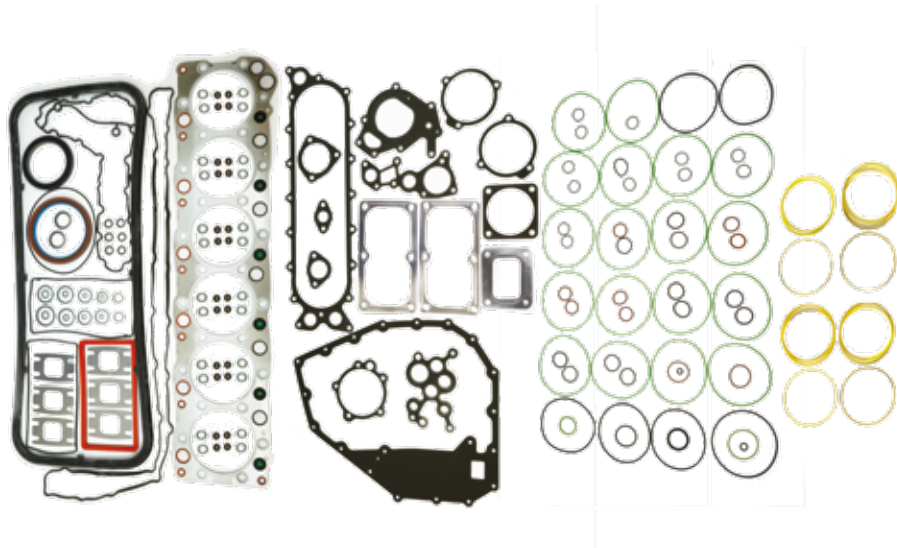
## MODELS\* | MODELLI\*

### IVECO

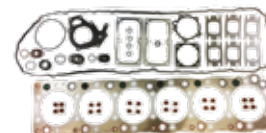
EUROTECH 190 - 260 E24-E27-E30-E31-E35 - 400 - 440 E31-E35  
EUROTRAKKER 180 E24-T27 - 190E24 - 190-260 E/T31-E/T35-E/36  
EUROTRAKKER 340 T35 - 380E35-T36 - 380E35-T36 - 400E/T35-410 E35  
STRALIS 190 - 260 S27-30-31-35-36 - 440 S31-35-36

DESCRIPTION	P/N	CROSS REFERENCES				
		OE	RNZ	EK	LE.MA	PY
FULL SET WITH H.G. AND OIL SEALS	<b>030946-1051</b>	2996223 - 2992259	01-34065-01		38600.10	
HEAD SET WITH H.G.	<b>050946-1051</b>	500395171	02-34065-01	689.920	44600.10	CA5010
MLS HEAD GASKET	<b>100946-5200</b>	504385500 - 99474208	61-34065-00	538.970	10127.20	AA5010
CYLINDER HEAD COVER	<b>110946-8000</b>	99446692	71-33976-00	569.400	20102.30	JM5004
OIL SUMP	<b>160946-8000</b>	504200838 - 99443902	71-33969-00	569.530	25118.20	JH5001

# 030947-1051 IVECO CURSOR 10



050947-1051



100947-5200



110947-8000



160947-8000



## ENGINES\* | MOTORI\*

F3AE0681 B - D - E - H E3

### DISPLACEMENT

10.300 cc TI 24V

### CYLINDERS

6

### DIAMETER

125 mm

## MODELS\* | MODELLI\*

### IVECO

EUROTECH 190 - 260 - 440 E39-40-43  
EUROSTAR 190 - 260 - 440 E39-43  
EUROTRAKKER 440 E38HT  
STRALIS 190 - 260 - 440 S40-43

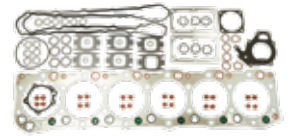
DESCRIPTION	P/N	CROSS REFERENCES				
		OE	RNZ	EK	LE.MA	PY
FULL SET WITH H.G. AND OIL SEALS	<b>030947-1051</b>	500397665 - 2996097	01-34060-01	649.890	38600.15	
HEAD SET WITH H.G.	<b>050947-1051</b>	500397664	02-34060-01	749.150	44600.15	
MLS HEAD GASKET	<b>100947-5200</b>	500396535	61-34060-00	538.960	10127.25	AG9350
CYLINDER HEAD COVER	<b>110947-8000</b>	500323989	71-33971-00	569.490	20102.35	JM5026
OIL SUMP	<b>160947-8000</b>	504262851	71-33964-00	539.600	25118.25	JH5071

\*Find out our complete range: [www.athena.eu](http://www.athena.eu) | \*Per ulteriori informazioni consultate il catalogo online nel nostro sito: [www.athena.eu](http://www.athena.eu)

# 030948-1051 IVECO CURSOR 13



050948-1051



100948-5200



110948-8000



160948-8000



## ENGINES\* | MOTORI\*

F3BE0681 E3  
F3BE3681 E4-E5

### DISPLACEMENT

12.880 cc TI 24V

### CYLINDERS

6

### DIAMETER

135 mm

## MODELS\* | MODELLI\*

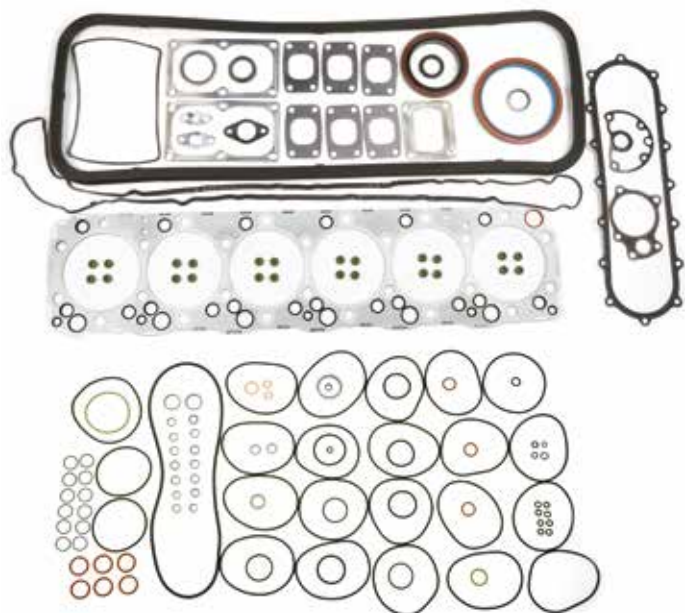
### IVECO

EUROSTAR 260 E48 - 440 E46-48  
EUROTRAKKER 190 E/T 38-44 - 260 - 340 - 380 E/T 38-44-48  
EUROTRAKKER 400 E38-44-T42 - 410NE/T38-44-48-T42 ECC.  
STRALIS 190 S50 - 260 S45-48-50-56 - 320 S50 - 440 S45-48-56

DESCRIPTION	P/N	CROSS REFERENCES				
		OE	RNZ	EK	LE.MA	PY
FULL SET WITH H.G. AND OIL SEALS	<b>030948-1051</b>	2992574 - 2996504	01-36535-02	650.060	38600.20	FG9360
HEAD SET WITH H.G.	<b>050948-1051</b>	2992575	02-36535-02	751.590	44600.20	CG9360
MLS HEAD GASKET	<b>100948-5200</b>	504007514	61-36535-00	538.980	10127.30	AG9360
CYLINDER HEAD COVER	<b>110948-8000</b>	500309014	71-36959-00	569.330	20102.40	JM7064
OIL SUMP	<b>160948-8000</b>	504287510 - 99441602	71-36961-00	542.070	25118.30	JH5169



# 030971-1000 FPT - IVECO INDUSTRIAL CURSOR 9 - TIER 3



050971-1000



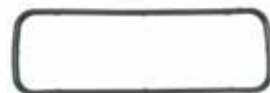
100946-5200



110946-8000



160970-8000



## ENGINES\* | MOTORI\*

**CURSOR 87 TE1D.R 991 - F2CE9687**

### DISPLACEMENT

8.700 cc ECR-TCA

### CYLINDERS

6

## MODELS\* | MODELLI\*

**FPT**

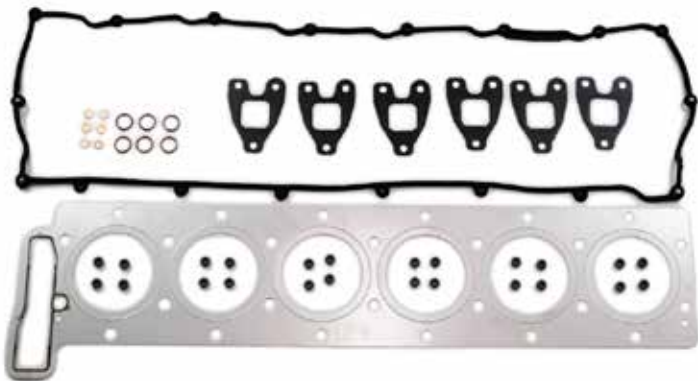
FPT INDUSTRIAL C87 ENTX20 - X60  
FPT INDUSTRIAL CURSOR R87 TE1D  
FPT INDUSTRIAL F2CE9684 A-B-C-D-E-H-L-M-N-P  
FPT INDUSTRIAL F2CE 9685 A - 9687 A-B-C - GE CURSOR 250 ED

DESCRIPTION	P/N	CROSS REFERENCES				
		OE	RNZ	EK	LE.MA	PY
FULL SET WITH H.G. AND OIL SEALS	<b>030971-1000</b>	8094890				
HEAD SET WITH H.G.	<b>050971-1000</b>	8094891				
MLS HEAD GASKET	<b>100946-5200</b>	504385500 - 99474208	61-34065-00	538.970	10127.20	AA5010
CYLINDER HEAD COVER	<b>110946-8000</b>	99446692	71-33976-00	569.400	20102.30	JM5004
OIL SUMP	<b>160970-8000</b>	5801541760	71-13131-00	557.910	25118.22	

\*Find out our complete range: [www.athena.eu](http://www.athena.eu) | \*Per ulteriori informazioni consultate il catalogo online nel nostro sito: [www.athena.eu](http://www.athena.eu)

053086-1000

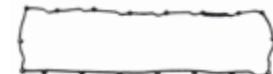
## CYLINDER HEAD GASKET SET - KIT GUARNIZIONI TESTATA MAN



103086-8500



113086-8000



### EXPERT'S NOTE - NOTA DELL'ESPERTO

**Our kit includes cylinder head cover gasket**

Il nostro kit include la guarnizione coperchio valvole

### ENGINES\* | MOTORI\*

**DISPLACEMENT | CILINDRATA**

10.500 cc 6 CYL. DS 24V Ø 120 mm

**CODE | CODICE**

D 2066 LF 01 + 04

D 2066 LF 11 + 14

D 2066 LF 31 + 39

D 2066 LF 06 / D 2066 LF 07

UP TO ENGINE / FINO MOTORE XX1414256XX

### MODELS\* | MODELLI\*

**MAN**

SERIES TGA- SERIES TGS - SERIES TGX

DESCRIPTION   DESCRIZIONE	P/N		CROSS REFERENCES   CORRISPONDENZE			
	GA	OE	RNZ	EK	LE.MA	PY
<b>CYLINDER HEAD GASKET SET, WITH H.G.</b> KIT GUARNIZIONI TESTATA, CON T.C.	<b>053086-1000</b> *A	51.00900-6681	02-37180-01 *B + 71-38061-00	195.080 *B + 141.522	86095.19 *B + 20968.12	CH6750 *B
<b>CYLINDER HEAD GASKET, METAL-RUBBER 1,2 mm</b> GUARNIZIONE, TESTATA, METALLO-GOMMA 1,2 mm	<b>103086-8500</b>	51.03901-0403 51.03901-0385 51.03901-0387	61-37180-00	021.262	10755.10	AH6750
<b>CYLINDER HEAD COVER GASKET</b> GUARNIZIONE COPRITESTATA	<b>113086-8000</b>	51.03905-0177	71-38061-00	141.522	20968.12	

\*A **With valve stem seals** - Con paraolio guidavalvole

\*B **Without cylinder head cover gasket** - Senza guarnizione copritestata

053081-1000

# CYLINDER HEAD GASKET SET - KIT GUARNIZIONI TESTATA MAN



## EXPERT'S NOTE - NOTA DELL'ESPERTO

**Reinforcement embossment on exhaust gasket.**  
Nervature di rinforzo sulla guarnizione scarico.

## ENGINES\* | MOTORI\*

### DISPLACEMENT | CILINDRATA

10.000 cc 5 CYL. DS 10V Ø 128 mm  
12.000 cc 6 CYL. DS 12V Ø 128 mm  
14.600 cc 8 CYL. DS 16V Ø 128 mm  
15.900 cc 10 CYL. DS 20V Ø 128 mm  
21.900 cc 12 CYL. DS 24V Ø 128 mm

### CODE | CODICE

D 2530 ME - MTE - MTXF - MXF / D 2538 ME - MTE / D 2540 MT - MTF / D 2542 MLE - MTE  
D 2840 LE - LF - LXE - LXF - LYE - ME - MF - MFG - MH  
D 2842 LE - LXE - LYE - LZE - ME / D 2848 LE - LXE - LYE M - MH  
D 2865 LF - LFR - LOH - LU - LUH - LXF  
D 2866 F - FG - KF - LF - LFG - LOH - LXOH - LXU - OH - TOH - TUH  
D 2876 LE

## MODELS\* | MODELLI\*

### MAN

E 2000 - EL - F 2000 - F 90 - HOCL - LION S CITY - LION S COACH  
LION S COMFORT - LION S STAR - M 90 - NG - NL - NÜ - R - SG - SL - SÜ - TGA

DESCRIPTION   DESCRIZIONE	P/N		CROSS REFERENCES   CORRISPONDENZE			
	GA	OE	RNZ	EK	LE.MA	PY
<b>CYLINDER HEAD GASKET SET, WITH H.G.</b> KIT GUARNIZIONI TESTATA, CON T.C.	<b>053081-1000</b> <sup>A</sup>	51.00900-6558 51.00900-6552	03-25275-03	834.327	86095.02	DG855
<b>CYLINDER HEAD GASKET, METAL-RUBBER</b> GUARNIZIONE TESTATA, METALLO-GOMMA	<b>103056-8500</b>	51.03901-0356	61-25105-15	896.510	10733.00	BG850
<b>CYLINDER HEAD COVER GASKET</b> GUARNIZIONE COPRITESTATA	<b>113081-1216</b>	51.03905-0134 51.03905-0135	71-26428-20	638.901 829.803	20968.00	JN316

<sup>A</sup> **With valve stem seals, set for 1 cylinder** - Con cappucci paraolio guidavalvole, kit per 1 cilindro

053088-1000

# CYLINDER HEAD GASKET SET - KIT GUARNIZIONI TESTATA MAN



 **EXPERT'S NOTE - NOTA DELL'ESPERTO**  
**The headgasket is reinforced with inserts in metal-rubber**  
 La guarnizione testata è rinforzata con inserti in metallo-gomma

## ENGINES\* | MOTORI\*

**DISPLACEMENT | CILINDRATA**

- 10.000 cc 5 CYL. DS 10V Ø 128 mm
- 12.000 cc 6 CYL. DS 12V Ø 128 mm
- 14.600 cc 8 CYL. DS 16V Ø 128 mm
- 15.900 cc 10 CYL. DS 20V Ø 128 mm
- 21.900 cc 12 CYL. DS 24V Ø 128 mm

**CODE | CODICE**

- D 2530 ME - MTE - MTXF - MXF
- D 2538 ME - MTE
- D 2540 MT - MTF
- D 2542 MLE - MTE
- D 2840 LE - LF - LXE - LXF - LYE - ME - MF - MFG - MH
- D 2842 LE - LXE - LYE - LZE - ME
- D 2848 LE - LXE - LYE M - MH
- D 2865 LF - LFR - LOH - LU - LUH - LXF
- D 2866 F - FG - KF - LF - LFG - LOH - LXOH - LXU - OH - TOH - TUH
- D 2876 LE

**The headgasket is reinforced with inserts in metal-rubber.**  
 La guarnizione testata è rinforzata con inserti in metallo-gomma.

## MODELS\* | MODELLI\*

- MAN**  
 E 2000 - EL - F 2000 - F 90 - HOCL - LION S CITY - LION S COACH  
 LION S COMFORT - LION S STAR - M 90 - NG - NL - NÜ - R - SG - SL - SÜ - TGA



DESCRIPTION   DESCRIZIONE	P/N		CROSS REFERENCES   CORRISPONDENZE			
	GA	OE	RNZ	EK	LE.MA	PY
<b>CYLINDER HEAD GASKET SET, WITH H.G.</b> KIT GUARNIZIONI TESTATA, CON T.C.	<b>053088-1000</b> <sup>AA</sup>		03-25275-03 <sup>B</sup>	834.330 <sup>B</sup>	86095.03	
<b>CYLINDER HEAD GASKET, METAL-RUBBER</b> GUARNIZIONE TESTATA, METALLO-GOMMA	<b>103084-8500</b>	51.03901-0338 51.03901-0366	61-25275-50	829.722	10755.02	
<b>CYLINDER HEAD COVER GASKET</b> GUARNIZIONE COPRITESTATA	<b>113081-1216</b>	51.03905-0134 51.03905-0135	71-26428-20	638.901 829.803	20968.00	JN316

<sup>AA</sup> **With valve stem seals, set for 1 cylinder** - Con paraolio guidavalvole, kit per 1 cilindro

<sup>B</sup> **Without valve stem seals** - Senza paraoli guidavalvola



053084-1000

**CYLINDER HEAD GASKET SET - KIT GUARNIZIONI TESTATA  
MAN****EXPERT'S NOTE - NOTA DELL'ESPERTO**

The headgasket is reinforced with inserts in metal-rubber  
La guarnizione testata è rinforzata con inserti in metallo-gomma

**ENGINES\* | MOTORI\*****DISPLACEMENT | CILINDRATA**

12.000 cc 6 CYL. DS 24V Ø 128 mm

**CODE | CODICE**

D 2866 LF 23 + 28 / D 2866 LF 30 + 32 / D 2866 LF 36 + 41  
D 2866 LFG 07 / D 2866 LOH 27 + 29 / D 2866 LOH 33 + 36  
D 2866 LUH 23 + 30 / D 2866 LUH 34 + 37 / D 2866 LUH 50 + 52  
D 2876 LF 01 / D 2876 LF 03 + 07 / D 2876 LF 09 + 11 / D 2876 LF 17 + 20  
D 2876 LFG 01 / D 2876 LOH 02 / D 2876 LOH 03  
D 2876 LUE 604 + 606

**MODELS\* | MODELLI\***

**MAN**  
E 2000 - EL - F 2000 - HOCL - LION S CITY - LION S COACH - LION S STAR  
SÜ - TGA SERIES

DESCRIPTION   DESCRIZIONE	P/N		CROSS REFERENCES   CORRISPONDENZE			
	GA	OE	RNZ	EK	LE.MA	PY
<b>CYLINDER HEAD GASKET SET, WITH H.G.</b> KIT GUARNIZIONI TESTATA, CON T.C.	<b>053084-1000</b> *A	51.00900-6630	03-25275-06	296.770	86095.05	
<b>CYLINDER HEAD GASKET, METAL-RUBBER</b> GUARNIZIONE TESTATA, METALLO-GOMMA	<b>103084-8500</b>	51.03901-0338 51.03901-0366	61-25275-50	829.722	10755.02	
<b>CYLINDER HEAD COVER GASKET</b> GUARNIZIONE COPRITESTATA	<b>113085-8500</b> *B	51.03905-0161	71-34066-00	123.420	20968.07	JM7130
<b>CYLINDER HEAD COVER GASKET</b> GUARNIZIONE COPRITESTATA	<b>113084-8500</b> *C	51.03905-0157	71-34064-00	123.410	20968.05	JM7129

\*A **With valve stem seals, without cylinder head cover gaskets, set for 1 cylinder** - Con paraolio guidavalvole, senza guarnizioni copritestata, kit per 1 cilindro

\*B **With rubber anchor** - Con tassello in gomma

\*C **Without rubber anchor** - Senza tassello in gomma

053083-1000

# CYLINDER HEAD GASKET SET - KIT GUARNIZIONI TESTATA MAN



103083-8500



113083-8500



## ENGINES\* | MOTORI\*

**DISPLACEMENT | CILINDRATA**

12.000 cc 6 CYL. DS 24V Ø 128 mm

**CODE | CODICE**

D 2876 LE 121 + 124  
D 2876 LF 12 / D 2876 LF 13 / D 2876 LF 25  
D 2876 LOH 20 / D 2876 LOH 21

## MODELS\* | MODELLI\*

**MAN**  
LION S STAR RH 484 - RHS 484 - TGA SERIES

DESCRIPTION   DESCRIZIONE	P/N		CROSS REFERENCES   CORRISPONDENZE			
	GA	OE	RNZ	EK	LE.MA	PY
<b>CYLINDER HEAD GASKET SET, WITH H.G.</b> KIT GUARNIZIONI TESTATA, CON T.C.	<b>053083-1000</b> <sup>*A</sup>	51.00900-6653	03-35145-02	009.981	86095.11	
<b>CYLINDER HEAD GASKET, METAL-RUBBER</b> GUARNIZIONE TESTATA, METALLO-GOMMA	<b>103083-8500</b>	51.03901-0382	61-35145-00	099.980	10733.10	AG9340
<b>CYLINDER HEAD COVER GASKET</b> GUARNIZIONE COPRITESTATA	<b>113083-8500</b>	51.03905-0190	71-36348-10	100.013	20968.08	JM7131

<sup>\*A</sup> **With valve stem seals, set for 1 cylinder - Con paraolio guidavalvole, kit per 1 cilindro**

053056-1051

**CYLINDER HEAD GASKET SET - KIT GUARNIZIONI TESTATA**  
**MERCEDES BENZ**

103056-8500



113056-5104

**EXPERT'S NOTE - NOTA DELL'ESPERTO**

**Reinforcement embossment on exhaust gasket.**  
Nervature di rinforzo sulla guarnizione scarico.

**ENGINES\* | MOTORI\*****DISPLACEMENT | CILINDRATA**

9.600 cc 6 CYL. DS 12V Ø 125 mm  
15.000 cc 8 CYL. DS 16V Ø 130 mm  
18.300 cc 10 CYL. DS 20V Ø 128 mm  
22.000 cc 12 CYL. DS 24V Ø 128 mm

**CODE | CODICE**

OM 401 / OM 402 / OM 403 / OM 407 / OM 409  
OM 421 / OM 422 / OM 423 / OM 424 / OM 429  
OM 440 / OM 441 / OM 442 / OM 445 / OM 446  
OM 466 / OM 475 / OM 476 / OM 481 / OM 482 / OM 485 / OM 489

**MODELS\* | MODELLI\*****MERCEDES BENZ**

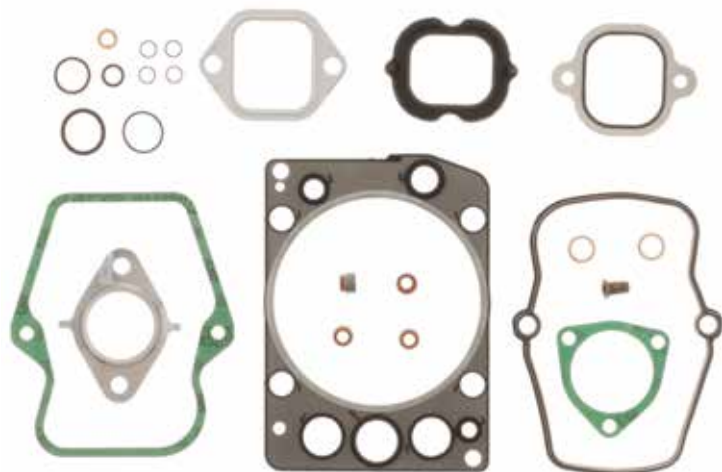
SERIES: MK - NG - O - OM - SK - TOURISMO ( O350 )

DESCRIPTION   DESCRIZIONE	P/N		CROSS REFERENCES   CORRISPONDENZE			
	GA	OE	RNZ	EK	LE.MA	PY
<b>CYLINDER HEAD GASKET SET, WITH H.G.</b> KIT GUARNIZIONI TESTATA, CON T.C.	<b>053056-1051</b> <sup>A</sup>	4440100120	03-25105-08	413.810	86057.00	DG853 DG854
<b>CYLINDER HEAD GASKET, METAL-RUBBER</b> GUARNIZIONE TESTATA, METALLO-GOMMA	<b>103056-8500</b>	4420160020	61-25105-15	896.510	10733.00	BG850
<b>CYLINDER HEAD COVER GASKET</b> GUARNIZIONE COPRITESTATA	<b>113056-5104</b>	4420160621	71-23906-20	977.439	20965.00	HM5397

<sup>A</sup> **With valve stem seals, set for 1 cylinder - Con cappucci paraolio valvole, kit per 1 cilindro**

053089-1000

# CYLINDER HEAD GASKET SET - KIT GUARNIZIONI TESTATA MERCEDES BENZ



103089-8500



113090-8000



113089-1420



## EXPERT'S NOTE - NOTA DELL'ESPERTO

**Reinforcement embossment on exhaust gasket.**  
Nervature di rinforzo sulla guarnizione scarico.

## ENGINES\* | MOTORI\*

**DISPLACEMENT | CILINDRATA**

12.000 cc 6 CYL. DS 24V Ø 128 mm

**CODE | CODICE**

OM 457.914 + 918 / OM 457.920 / OM 457.923 + 929 / OM 457.931  
OM 457.932 / OM 457.936 / OM 457.937 / OM 457.939 / OM 457.940  
OM 457.943 + 949 / OM 457.951 / OM 457.953 + 958  
OM 457.960 + 962 / OM 457.969 / OM 457.975 + 977  
OM 458.960 / OM 457.970 / OM 457.980 / OM 457.990 + 992  
OM 460.960 / OM 460.961  
FROM ENGINE / DA MOTORE 085589

## MODELS\* | MODELLI\*

**MERCEDES BENZ**

AXOR - AXOR 2 - CITARO (O530) - CONECTO (O345) - O403  
TOURISMO (O350) - TOURO (O500) - TRAVEGO (O580)

DESCRIPTION   DESCRIZIONE	P/N		CROSS REFERENCES   CORRISPONDENZE			
	GA	OE	RNZ	EK	LE.MA	PY
<b>CYLINDER HEAD GASKET SET, WITH H.G.</b> KIT GUARNIZIONI TESTATA, CON T.C.	<b>053089-1000</b> <sup>^A</sup>		03-37770-03	054.630 054.850 338.710 051.970	86058.08 86058.07 86058.02	
<b>CYLINDER HEAD GASKET, METAL-RUBBER</b> GUARNIZIONE TESTATA, METALLO-GOMMA	<b>103089-8500</b>	4600160420	61-37770-00	462.203	10734.02	AH6720
<b>CYLINDER HEAD COVER GASKET, PLASTIC COVER</b> GUARNIZIONE COPRITESTATA, COPERCHIO IN PLASTICA	<b>113090-8000</b>	4570160221	71-34867-10	001.796	20967.03	JM5270
<b>CYLINDER HEAD COVER GASKET, COVER IN CAST ALUMINIUM</b> GUARNIZIONE, COPRITESTATA, COPERCHIO IN ALLUMINIO	<b>113089-1420</b>	4570160021	71-34258-00	467.721	20967.10	JM7043

<sup>^A</sup> **With valve stem seals, set for 1 cylinder** - Con cappucci paraolio valvole, kit per 1 cilindro



053063-1000

**CYLINDER HEAD GASKET SET - KIT GUARNIZIONI TESTATA**  
**MERCEDES BENZ**

103063-8500



113063-8000

**ENGINES\* | MOTORI\*****DISPLACEMENT | CILINDRATA**

12.000 CC 6 CYL. DS 24V Ø 130 mm

**CODE | CODICE**

OM 501 A / OM 501 LA  
 OM 502 A / OM 502 LA  
 OM 521 / OM 522  
 OM 541  
 OM 542.943 UP TO ENGINE / FINO MOTORE 084423  
 OM 941 / OM 942

**MODELS\* | MODELLI\*****MERCEDES BENZ**

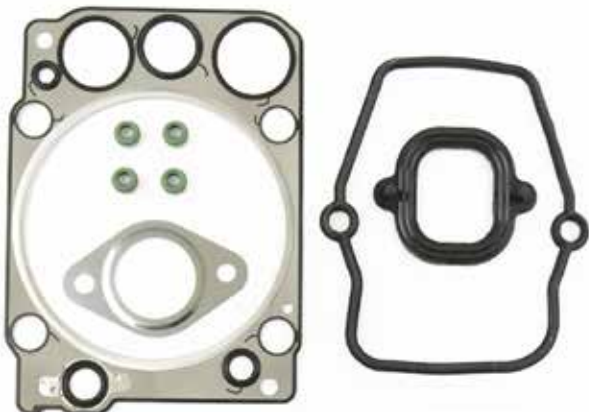
ACTROS - ACTROS MP2/MP3 - TOURISMO (O350) - TRAVEGO (O580)

DESCRIPTION   DESCRIZIONE	P/N		CROSS REFERENCES   CORRISPONDENZE			
	GA	OE	RNZ	EK	LE.MA	PY
<b>CYLINDER HEAD GASKET SET, WITH H.G.</b> KIT GUARNIZIONI TESTATA, CON T.C.	<b>053063-1000</b> *A	5410105120 5410101120	03-34190-01	447.215 154.200	86065.08	DZ140
<b>CYLINDER HEAD GASKET, METAL-RUBBER</b> GUARNIZIONE TESTATA, METALLO-GOMMA	<b>103063-8500</b>	5410160720 5410161120 5410161620	61-34190-10	052.481	10735.02	AH7900
<b>CYLINDER HEAD COVER GASKET</b> GUARNIZIONE COPRITESTATA	<b>113063-8000</b>	5410160321	71-33799-00	060.560	20967.00	JM5186

\*A **With valve stem seals, set for 1 cylinder** - Con paraolio guidavalvole, kit per 1 cilindro

053087-1000

# CYLINDER HEAD GASKET SET - KIT GUARNIZIONI TESTATA MERCEDES BENZ



103087-8500



113065-8000



## ENGINES\* | MOTORI\*

**DISPLACEMENT | CILINDRATA**

12.000 CC 6 CYL. DS 24V Ø 130 mm

**CODE | CODICE**

OM 501 A / OM 501 LA  
 OM 502 A / OM 502 LA  
 OM 521.940 / OM 521.946 / OM 521.950 + 954  
 OM 522.940 + 943 / OM 522.950  
 OM 541.921 + 928 / OM 541.940 + 953 / OM 541.960 / OM 541.970 + 981  
 OM 541.991 + 999  
 OM 542.921 + 926 / OM 542.940 + 948 / OM 542.956 / OM 542.970  
 OM 941.910 / OM 941.920 / OM 942.900  
 FROM ENGINE / DAL MOTORE 357749

## MODELS\* | MODELLI\*

**MERCEDES BENZ**

ACTROS - ACTROS MP2/MP3 - TOURISMO (O350) - TRAVEGO (O580)

DESCRIPTION   DESCRIZIONE	P/N		CROSS REFERENCES   CORRISPONDENZE			
	GA	OE	RNZ	EK	LE.MA	PY
<b>CYLINDER HEAD GASKET SET, WITH H.G.</b> KIT GUARNIZIONI TESTATA, CON T.C.	<b>053087-1000</b> <sup>AA</sup>	5410101621 5410100921	03-37190-01	290.400	86065.03	DZ143
<b>CYLINDER HEAD GASKET, METAL-RUBBER</b> GUARNIZIONE TESTATA, METALLO-GOMMA	<b>103087-8500</b>	5410161320 5410161720 5410161520	61-37190-10	066.723	10735.01	AG8280 AH7910
<b>CYLINDER HEAD COVER GASKET</b> GUARNIZIONE COPRITESTATA	<b>113065-8000</b>	4570160221	71-34867-10	001.796	20967.03	JM5270

<sup>AA</sup> **With valve stem seals, set for 1 cylinder - Con paraolio guidavalvole, kit per 1 cilindro**

053091-1000

# CYLINDER HEAD GASKET SET - KIT GUARNIZIONI TESTATA MERCEDES BENZ



## ENGINES\* | MOTORI\*

**DISPLACEMENT | CILINDRATA**

4.250 cc 4 CYL. DS 12V Ø 102 mm

**CODE | CODICE**

OM 900.910 + 913 / OM 900.915 + 922  
 OM 904.903 + 912 / OM 904.914 + 917  
 OM 904.921 + 924 / OM 904.926 + 944 / OM 904.946 + 957  
 OM 904.959 / OM 904.961 / OM 904.962 / OM 904.964 +.968  
 OM 904.970 + 981 / OM 904.983  
 OM 907.930 / OM 907.940 / OM 907.941  
 OM 907.960 / OM 907.970 / OM 907.980 / OM 907.990

## MODELS\* | MODELLI\*

**MERCEDES BENZ**

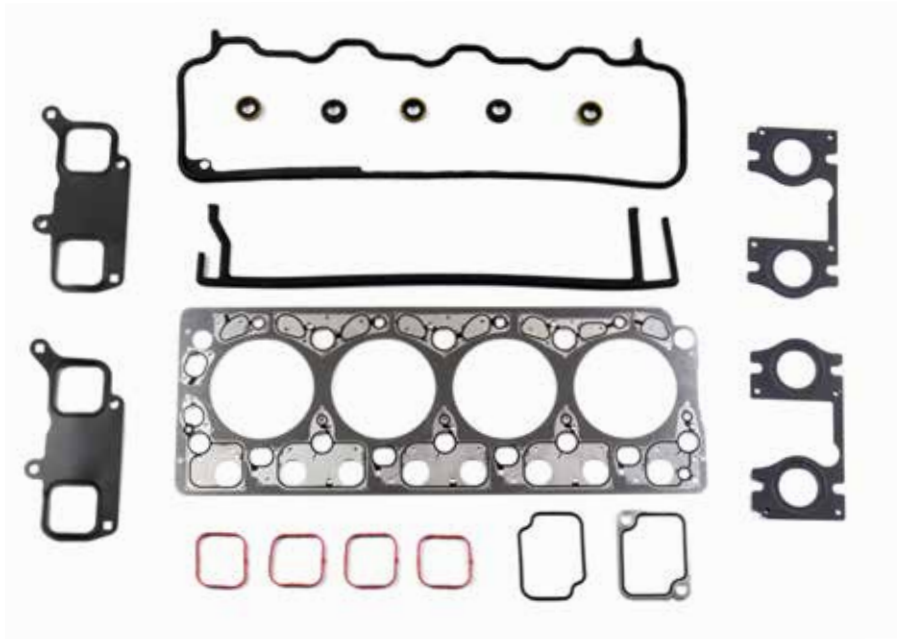
ATEGO - ATEGO 2 - CITO (O520) - LK/LN2 - OF - OH - UNIMOG U  
 VARIO - VARIO BUS - VARIO DUMP TRUCK

DESCRIPTION   DESCRIZIONE	P/N		CROSS REFERENCES   CORRISPONDENZE			
	GA	OE	RNZ	EK	LE.MA	PY
<b>CYLINDER HEAD GASKET SET, WITH H.G.</b> KIT GUARNIZIONI TESTATA, CON T.C.	<b>053091-1000</b>	9040104521	02-36110-01	074.855	86065.21	CC5931
<b>CYLINDER HEAD GASKET, METAL-RUBBER</b> GUARNIZIONE, TESTATA, METALLO-GOMMA	<b>103091-8500</b>	9040161320	61-36110-40	082.724	10735.20	AC5932
<b>CYLINDER HEAD COVER GASKET SET, PLASTIC COVER</b> KIT GUARNIZIONI, COPRITESTATA IN PLASTICA	<b>113091-0000</b>	0000160421 0000160040 (5X)	15-36149-01	136.960	20967.22 20937.20 (5X)	JM7095

\*Find out our complete range: [www.athena.eu](http://www.athena.eu) | \*Per ulteriori informazioni consultate il catalogo online nel nostro sito: [www.athena.eu](http://www.athena.eu)

053092-1000

# CYLINDER HEAD GASKET SET - KIT GUARNIZIONI TESTATA MERCEDES BENZ



## ENGINES\* | MOTORI\*

**DISPLACEMENT | CILINDRATA**

4250 cc 4 CYL. DS 12V Ø 102 mm

**CODE | CODICE**

OM 904.903 + 912 / OM 904.914 + 923  
OM 904.925 / OM 904.930 / OM 904.931  
OM 907.910 / OM 907.920 / OM 907.930 / OM 907.940  
OM 907.960 / OM 907.970 / OM 907.980 / OM 907.990

## MODELS\* | MODELLI\*

**MERCEDES BENZ**

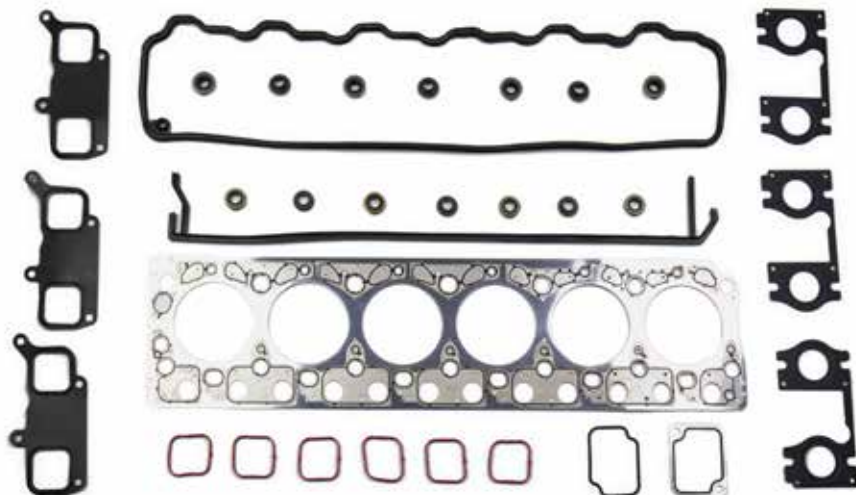
ATEGO - LK/LN2 - VARIO - VARIO BUS - VARIO DUMP TRUCK

DESCRIPTION   DESCRIZIONE	P/N		CROSS REFERENCES   CORRISPONDENZE			
	GA	OE	RNZ	EK	LE.MA	PY
<b>CYLINDER HEAD GASKET SET, WITH H.G.</b> KIT GUARNIZIONI TESTATA, CON T.C.	<b>053092-1000</b>	9040104221	02-36110-02	075.445	86065.20	CC5930
<b>CYLINDER HEAD GASKET, METAL-RUBBER</b> GUARNIZIONE, TESTATA, METALLO-GOMMA	<b>103091-8500</b>	9040161320	61-36110-40	082.724	10735.20	AC5932
<b>CYLINDER HEAD COVER GASKET SET, ALUMINUM COVER</b> KIT GUARNIZIONI, COPRITESTATA IN ALLUMINIO	<b>113092-0000</b>	9040160621 9060160080 (5X)	15-36172-01	075.540	20967.20 20937.20 (5X)	



053093-1000

# CYLINDER HEAD GASKET SET - KIT GUARNIZIONI TESTATA MERCEDES BENZ



## ENGINES\* | MOTORI\*

DISPLACEMENT | CILINDRATA

6.400 CC 6 CYL. DS 18V Ø 102 mm

CODE | CODICE

OM 902.910 + 925 / OM 902.927 / OM 902.930 + 933 / OM 902.935 / OM 902.936  
 OM 906.910 + 930 / OM 906.932 + 941 / OM 906.944 + 959  
 OM 906.961 / OM 906.962 / OM 906.967 / OM 906.968  
 OM 906.973 + 983 / OM 906.985 / OM 906.986 / OM 906.988 / OM 906.990 + 995  
 OM 909.910 / OM 909.911 / OM 909.920 / OM 909.921  
 OM 909.960 / OM 909.970 / OM 909.971

## MODELS\* | MODELLI\*

MERCEDES BENZ

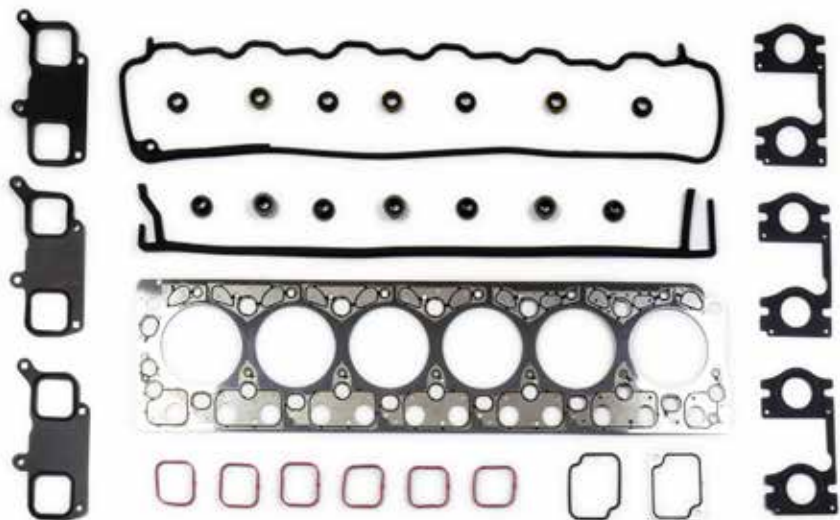
ATEGO - ATEGO 2 - AXOR - AXOR 2 - CITARO (O530) - CONECTO (O345)  
 ECONIC - OH - TOURINO (O510) - TOURO (O500) - UNIMOG U

DESCRIPTION   DESCRIZIONE	P/N		CROSS REFERENCES   CORRISPONDENZE			
	GA	OE	RNZ	EK	LE.MA	PY
<b>CYLINDER HEAD GASKET SET, WITH H.G.</b> KIT GUARNIZIONI TESTATA, CON T.C.	<b>053093-1000</b>	9060105521 9060101721 9060108821	02-36115-01	074.845	86065.26	CC5841
<b>CYLINDER HEAD GASKET, METAL-RUBBER</b> GUARNIZIONE, TESTATA, METALLO-GOMMA	<b>103093-8500</b>	9060161420	61-36115-40	082.734	10735.25	AC5842
<b>CYLINDER HEAD COVER GASKET SET, PLASTIC COVER</b> KIT GUARNIZIONI, COPRITESTATA IN PLASTICA	<b>113093-0000</b>	0000160521 0000160040 (7X)	15-36152-01	136.970	20967.96 20937.20 (7X)	JM7137

\*Find out our complete range: [www.athena.eu](http://www.athena.eu) | \*Per ulteriori informazioni consultate il catalogo online nel nostro sito: [www.athena.eu](http://www.athena.eu)

053094-1000

# CYLINDER HEAD GASKET SET - KIT GUARNIZIONI TESTATA MERCEDES BENZ



103093-8500



113094-0000



## ENGINES\* | MOTORI\*

**DISPLACEMENT | CILINDRATA**

6.400 cc 6 CYL. DS 18V Ø 102 mm

**CODE | CODICE**

OM 902.926 / OM 902.934  
OM 906.910 / OM 906.911 / OM 906.915 + 918 / OM 906.920 / OM 906.928  
OM 906.930 / OM 906.931 / OM 906.934 / OM 906.935  
OM 906.953 / OM 906.960 / OM 906.963  
OM 909.900 / OM 909.901 / OM 909.920  
OM 909.960 / OM 909.970 / OM 909.971

## MODELS\* | MODELLI\*

**MERCEDES BENZ**

ATEGO - AXOR - AXOR 2 - CITARO (O530) - CONECTO (O345)  
ECONIC - TOURINO (O510) - TOURO (O500) - UNIMOG U

DESCRIPTION   DESCRIZIONE	P/N		CROSS REFERENCES   CORRISPONDENZE			
	GA	OE	RNZ	EK	LE.MA	PY
<b>CYLINDER HEAD GASKET SET, WITH H.G.</b> KIT GUARNIZIONI TESTATA, CON T.C.	<b>053094-1000</b>	9060100321 9060103720 9060108721	02-36115-02	075.455	86065.25	CC5840
<b>CYLINDER HEAD GASKET, METAL-RUBBER</b> GUARNIZIONE, TESTATA, METALLO-GOMMA	<b>103093-8500</b>	9060161420	61-36115-40	082.734	10735.25	AC5842
<b>CYLINDER HEAD COVER GASKET SET, ALUMINUM COVER</b> KIT GUARNIZIONI, COPRITESTATA IN ALLUMINIO	<b>113094-0000</b>	9060160621 9060160080 (7X)	15-36159-01	075.520	20967.25	

083091-1000

**CRANKCASE GASKET SET - KIT GUARNIZIONI MONOBLOCCO  
MERCEDES BENZ****EXPERT'S NOTE - NOTA DELL'ESPERTO**

**Unified gasket kit for engine with 4 and 6 cylinder**  
Kit guarnizioni unificato per motori da 4 e 6 cilindri.

**ENGINES\* | MOTORI\*****DISPLACEMENT | CILINDRATA**

4.250 cc 4 CYL. DS 12V Ø 102 mm  
6.400 cc 6 CYL. DS 18V Ø 102 mm  
4.800 cc 4 CYL. DS 12V Ø 106 mm  
7.200 cc 6 CYL. DS 18V Ø 106 mm

**CODE | CODICE**

OM 900 / OM 902 / OM 904 / OM 906 / OM 907 / OM 909  
OM 924 / OM 925 / OM 926

**MODELS\* | MODELLI\*****MERCEDES BENZ**

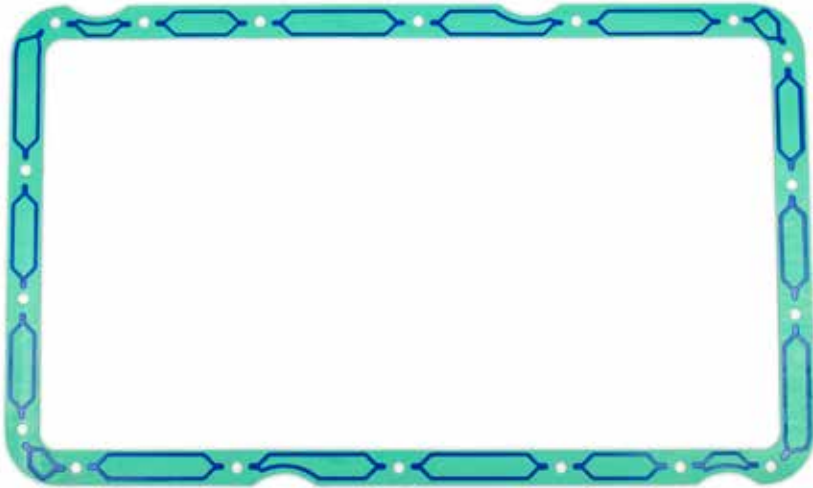
ATEGO - ATEGO 2 - AXOR - AXOR 2 - CITO (O520) - CITARO (O530)  
CONECTO (O345) - ECONIC - LK/LN2 - OF - OH - TOURINO (O510)  
TOURO (O500) - VARIO - VARIO BUS - VARIO DUMP TRUCK

DESCRIPTION   DESCRIZIONE	P/N		CROSS REFERENCES   CORRISPONDENZE			
	GA	OE	RNZ	EK	LE.MA	PY
<b>CRANKCASE GASKET SET</b> KIT GUARNIZIONI MONOBLOCCO	<b>083091-1000</b>	9040104505 9060101405 9060104505	08-36169-01	413.700 446.930	35200.75 <sup>A</sup>	

<sup>A</sup> **Set without oil seals - Kit senza anelli di tenuta**

163091-4410

**OIL SUMP GASKET - GUARNIZIONE COPPA OLIO**  
**MERCEDES BENZ**



 **EXPERT'S NOTE - NOTA DELL'ESPERTO**  
For cast steel oil sump  
Per coppa olio in acciaio

**ENGINES\* | MOTORI\***

**DISPLACEMENT | CILINDRATA**  
—  
4.250 cc 4 CYL. DS 12V Ø 102 mm  
4.801 cc 4 CYL 12V Ø. 106 mm

**CODE | CODICE**  
—  
OM 900 / OM 904 / OM 924

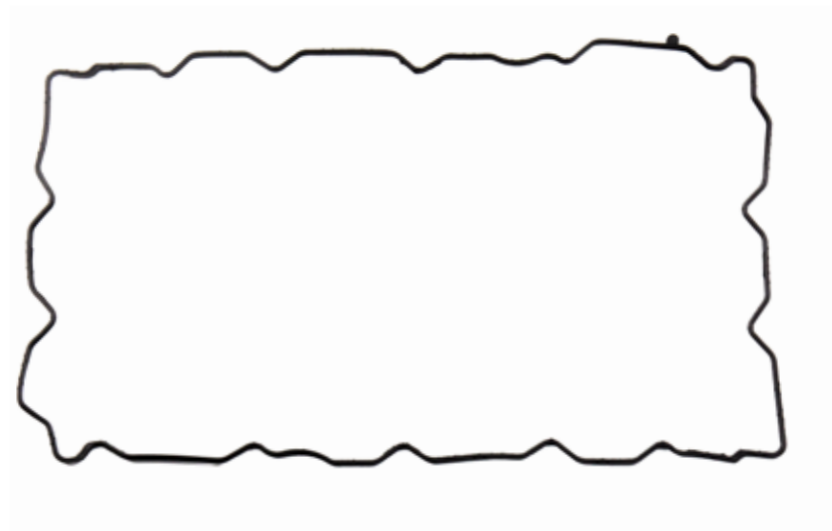
**MODELS\* | MODELLI\***

**MERCEDES BENZ**  
—  
ATEGO - ATEGO 2 - CITO (O520) - LK/LN2 - OF8000 - OH - UNIMOG U  
VARIO - VARIO BUS - VARIO DUMP TRUCK

DESCRIPTION   DESCRIZIONE	P/N		CROSS REFERENCES   CORRISPONDENZE			
	GA	OE	RNZ	EK	LE.MA	PY
<b>OIL SUMP GASKET</b> GUARNIZIONE COPPA OLIO	<b>163091-4410</b>	9040140922 9040140622	71-36141-00	211.570	25750.20	JH5094

\*Find out our complete range: [www.athena.eu](http://www.athena.eu) | \*Per ulteriori informazioni consultate il catalogo online nel nostro sito: [www.athena.eu](http://www.athena.eu)

163092-8000

**OIL SUMP GASKET - GUARNIZIONE COPPA OLIO  
MERCEDES BENZ****EXPERT'S NOTE - NOTA DELL'ESPERTO**

**For plastic oil sump**  
Per coppa olio in plastica

**ENGINES\* | MOTORI\*****DISPLACEMENT | CILINDRATA**

—  
4.250 cc 4 CYL. DS 12V Ø 102 mm  
4.801 cc 4 CYL 12V Ø.106 mm

**CODE | CODICE**

—  
OM 900 / OM 904 / OM 907 / OM 924

**MODELS\* | MODELLI\*****MERCEDES BENZ**

—  
ATEGO - ATEGO 2 - CITO (O520) - LK/LN2 - OF8000 - OH - UNIMOG U  
VARIO - VARIO BUS - VARIO DUMP TRUCK

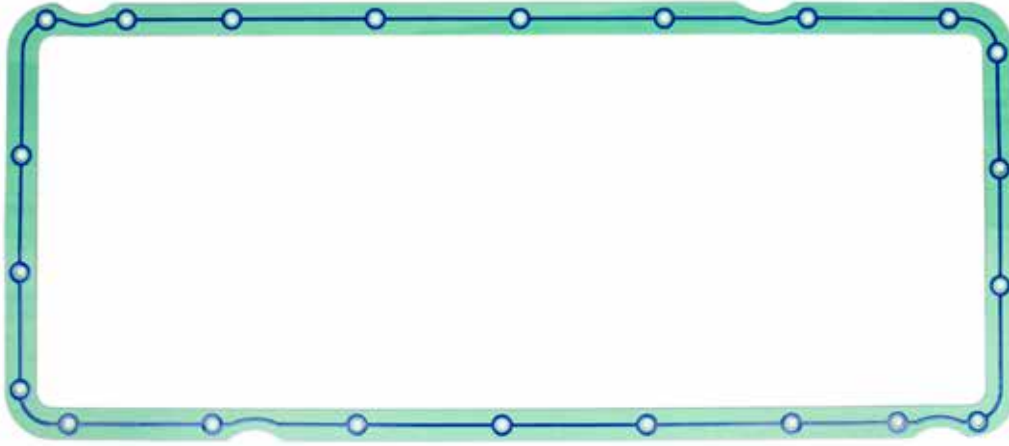
DESCRIPTION   DESCRIZIONE	P/N		CROSS REFERENCES   CORRISPONDENZE			
	GA	OE	RNZ	EK	LE.MA	PY
<b>OIL SUMP GASKET, RUBBER</b> GUARNIZIONE COPPA OLIO IN GOMMA	<b>163092-8000</b>	9040140722	71-36161-00	074.950		

\*Find out our complete range: [www.athena.eu](http://www.athena.eu) | \*Per ulteriori informazioni consultate il catalogo online nel nostro sito: [www.athena.eu](http://www.athena.eu)



163093-4410

**OIL SUMP GASKET - GUARNIZIONE COPPA OLIO**  
**MERCEDES BENZ**



**EXPERT'S NOTE - NOTA DELL'ESPERTO**

**For cast steel oil sump**  
Per coppa olio in acciaio

**ENGINES\* | MOTORI\***

**DISPLACEMENT | CILINDRATA**

6.374 cc 6 CYL 18V Ø. 102 mm  
7.200 cc 6 CYL 18V Ø. 106 mm

**CODE | CODICE**

OM 902 / OM 906 / OM 909 / OM 925 / OM 926

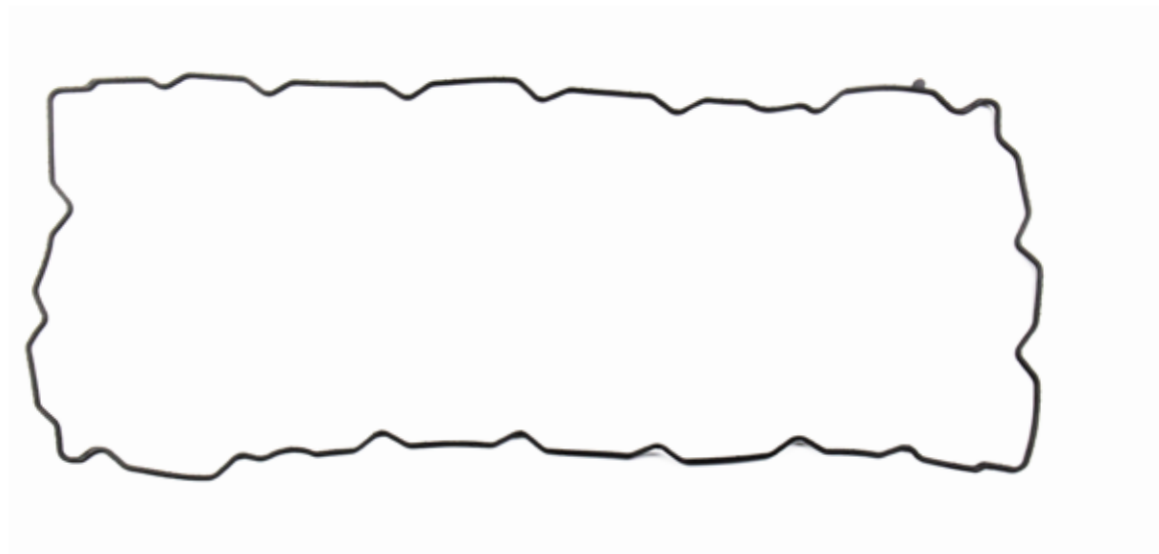
**MODELS\* | MODELLI\***

**MERCEDES BENZ**

ATEGO - ATEGO 2 - AXOR - AXOR 2  
CITARO (O530) - CONECTO (O345)  
ECONIC - TOURINO (O510) - TOURO (O500)  
ZETROS - UNIMOG U - INTEGRO (O550), INTOURO, OH

DESCRIPTION   DESCRIZIONE	P/N		CROSS REFERENCES   CORRISPONDENZE			
	GA	OE	RNZ	EK	LE.MA	PY
<b>OIL SUMP GASKET</b> GUARNIZIONE COPPA OLIO	<b>163093-4410</b>	9060140922 9060140722 9060140422	71-36139-00	757.321	25750.25	JH5095

163094-8000

**OIL SUMP GASKET - GUARNIZIONE COPPA OLIO  
MERCEDES BENZ****EXPERT'S NOTE - NOTA DELL'ESPERTO**

**For plastic oil sump**  
Per coppa olio in plastica

**ENGINES\* | MOTORI\*****DISPLACEMENT | CILINDRATA**

—  
6.374 CC 6 CYL 18V Ø. 102 mm  
7.200 CC 6 CYL 18V Ø. 106 mm

**CODE | CODICE**

—  
OM 902 / OM 906 / OM 909 / OM 925 / OM 926

**MODELS\* | MODELLI\*****MERCEDES BENZ**

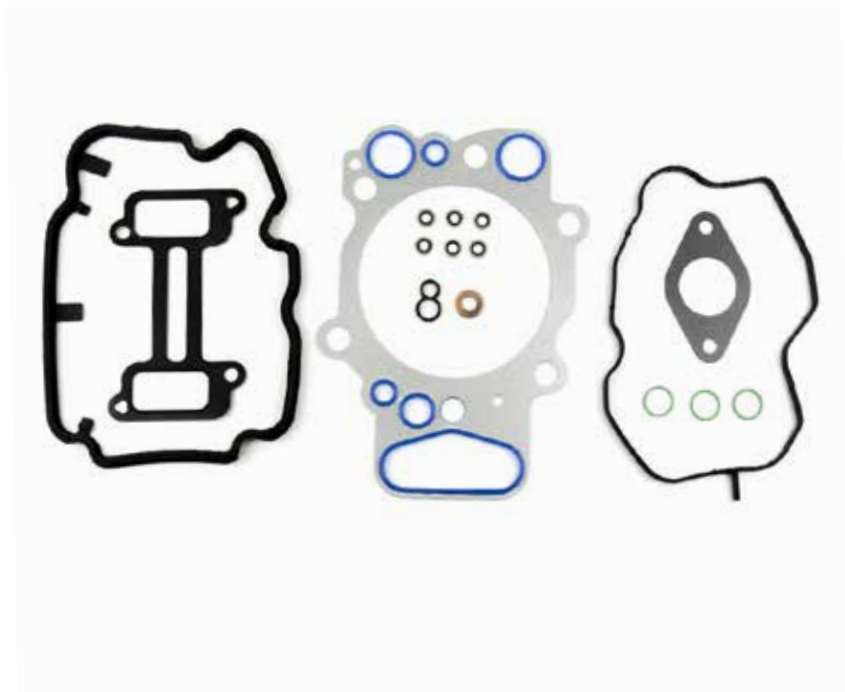
—  
ATEGO - ATEGO 2 - AXOR - AXOR 2  
CITARO (O530) - CONECTO (O345)  
ECONIC - TOURINO (O510) - TOURO (O500)  
ZETROS - UNIMOG U

DESCRIPTION   DESCRIZIONE	P/N		CROSS REFERENCES   CORRISPONDENZE			
	GA	OE	RNZ	EK	LE.MA	PY
<b>OIL SUMP GASKET, RUBBER</b> GUARNIZIONE COPPA OLIO IN GOMMA	<b>163094-8000</b>	9060140522	71-36157-00	125.810		JH5212

\*Find out our complete range: [www.athena.eu](http://www.athena.eu) | \*Per ulteriori informazioni consultate il catalogo online nel nostro sito: [www.athena.eu](http://www.athena.eu)

054030-1000

## CYLINDER HEAD GASKET SET - KIT GUARNIZIONI TESTATA SCANIA



### ENGINES\* | MOTORI\*

**DISPLACEMENT | CILINDRATA**

10.600 cc 6 CYL., DS 24V Ø 127 mm

**CODE | CODICE**

DC 11.01 + 04 / DC 11.06  
 DC 12.01 + 03 / DC 12.09  
 DT 12.02 / DT 12.08  
 DSC 12.03 / DSC 12.05 / DSC 12.06  
 FROM ENGINE / DAL MOTORE N° 6119600SSS - 8004780SLA  
 DC 16.01 + 06 / DC16.08 / DC16.09 / DC16.17 + 19 / DC16.22  
 DT 16.08  
 UP TO ENGINE / FINO AL MOTORE N° 1018724SSS

### MODELS\* | MODELLI\*

**SCANIA**

4-SERIES 114- 124 -164 - T114 - T124  
 4-SERIES BUS K 114 - 124- 420 - P, G, R, T SERIES

DESCRIPTION   DESCRIZIONE	P/N		CROSS REFERENCES   CORRISPONDENZE			
	GA	OE	RNZ	EK	LE.MA	PY
<b>CYLINDER HEAD GASKET SET, WITH H.G.</b> KIT GUARNIZIONI TESTATA, CON T.C.	<b>054030-1000<sup>*A</sup></b>	550469 1754607		138.490 138.491	47105.07	CH5670
<b>CYLINDER HEAD GASKET, METAL-RUBBER - SILICONE</b> GUARNIZIONE, TESTATA, METALLO-GOMMA - SILICONE	<b>104025-8500</b>	1403608 1468555 1892765	61-34885-00	125.830	10955.10	AH5670
<b>CYLINDER HEAD COVER GASKET - UPPER</b> GUARNIZIONE COPRITESTATA - SUPERIORE	<b>114030-8000</b>	1411851	71-35179-00	060.600	20951.08	JM7104
<b>CYLINDER HEAD COVER GASKET - LOWER</b> GUARNIZIONE COPRITESTATA - INFERIORE	<b>114031-8000</b>	1476506 1542104	71-35178-00	060.620	20951.06	JM7111

<sup>\*A</sup> **With valve stem seals, set for 1 cylinder - Con paraolio guidavalvole, kit per 1 cilindro**

054031-1000

# CYLINDER HEAD GASKET SET - KIT GUARNIZIONI TESTATA SCANIA



104026-8500



114030-8000



114031-8000



## ENGINES\* | MOTORI\*

### DISPLACEMENT | CILINDRATA

10.600 cc 6 CYL. DS 24V Ø 127 mm

### CODE | CODICE

DC 11.01 + 04 / DC 11.06  
 DC 12.01 + 03 / DC 12.09  
 DSC 12.03 / DSC 12.05 / DSC 12.06 / DT 12.02 / DT 12.08  
 FROM ENGINE N° / DAL MOTORE N° 6119600SSS - 8004780SLA  
 DC 16.01 + 06 / DC 16.08 / DC 16.09 / DC 16.17 + 19 / DC 16.22  
 DT 16.08

## MODELS\* | MODELLI\*

### SCANIA

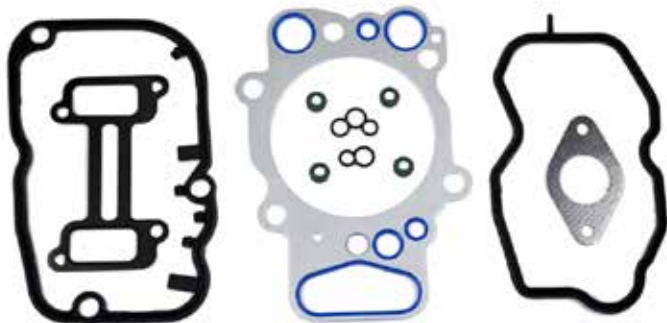
4-SERIES 114- 124 -164 - T114 - T124  
 4-SERIES BUS K 114 - 124- 420 - P, G, R, T SERIES

DESCRIPTION   DESCRIZIONE	P/N		CROSS REFERENCES   CORRISPONDENZE			
	GA	OE	RNZ	EK	LE.MA	PY
<b>CYLINDER HEAD GASKET SET, WITH H.G.</b> KIT GUARNIZIONI TESTATA, CON T.C.	<b>054031-1000</b> <sup>^A</sup>	550469	03-34885-01			
<b>CYLINDER HEAD GASKET, METAL-RUBBER - FPM (FLUORIDE-RUBBER)</b> GUARNIZIONE, TESTATA, METALLO-GOMMA - FPM (GOMMA AL FLUORO)	<b>104026-8500</b>	1893054 1892765	61-34885-10	247.491	10955.12	
<b>CYLINDER HEAD COVER GASKET - UPPER</b> GUARNIZIONE COPRITESTATA - SUPERIORE	<b>114030-8000</b>	1411851	71-35179-00	060.600	20951.08	JM7104
<b>CYLINDER HEAD COVER GASKET - LOWER</b> GUARNIZIONE COPRITESTATA - INFERIORE	<b>114031-8000</b>	1476506 1542104	71-35178-00	060.620	20951.06	JM7111

<sup>^A</sup> **With valve stem seals, set for 1 cylinder** - Con paraolio guidavalvole, kit per 1 cilindro

054025-1000

# CYLINDER HEAD GASKET SET - KIT GUARNIZIONI TESTATA SCANIA



104025-8500



114025-8000



114026-8000



## ENGINES\* | MOTORI\*

### DISPLACEMENT | CILINDRATA

8.900 cc 5 CYL. DS 20V Ø 127 mm  
10.600 cc 6 CYL. DS 24V Ø 127 mm  
11.700 cc 6 CYL. DS 24V Ø 127 mm  
15.600 cc 8 CYL. DS 32 V Ø 127 mm

### CODE | CODICE

DC 9.11 + 13 / DC 9E.02  
DC 11.08 / DC 11.09  
DT 9.18  
DC 12.06 / DC 12.07 / DC 12.10  
DT 12.03 / DT 12.06 / DT 12.10  
DC 16.01 / DC 16.02 / DC 16.03 / DT 16.08  
DAL MOTORE / FROM ENGINE N° 1018725SSS

## MODELS\* | MODELLI\*

### SCANIA

4-SERIES 94 - 124 - 164 - 4-SERIES BUS K 94 - IRIZAR CENTURY - PB  
K-SERIES K - K-SERIES BUS K - OMNICITY - P, G, R, T SERIES

DESCRIPTION   DESCRIZIONE	P/N		CROSS REFERENCES   CORRISPONDENZE			
	GA	OE	RNZ	EK	LE.MA	PY
<b>CYLINDER HEAD GASKET SET, WITH H.G.</b> KIT GUARNIZIONI TESTATA, CON T.C.	<b>054025-1000</b> <sup>*A</sup>	1725112		379.320	47105.16	CH5671
<b>CYLINDER HEAD GASKET, METAL-RUBBER - SILICONE</b> GUARNIZIONE, TESTATA, METALLO-GOMMA - SILICONE	<b>104025-8500</b>	1403608 1468555 1892765	61-34885-00	125.830	10955.10	AH5670
<b>CYLINDER HEAD COVER GASKET - UPPER</b> GUARNIZIONE COPRITESTATA - SUPERIORE	<b>114025-8000</b>	1505366	71-38381-00	374.420	20941.06	JM7134
<b>CYLINDER HEAD COVER GASKET - LOWER</b> GUARNIZIONE COPRITESTATA - INFERIORE	<b>114026-8000</b>	1449542	71-38379-00	379.310	20951.04	JM7174

<sup>\*A</sup> **With valve stem seals, set for 1 cylinder - Con paraolio guidavalvole, kit per 1 cilindro**



054026-1000

# CYLINDER HEAD GASKET SET - KIT GUARNIZIONI TESTATA SCANIA



## ENGINES\* | MOTORI\*

### DISPLACEMENT | CILINDRATA

- 
- 8.900 CC 5 CYL. DS 20V Ø 127 mm
- 10.600 CC 6 CYL. DS 24V Ø 127 mm
- 11.700 CC 6 CYL. DS 24V Ø 127 mm
- 15.600 CC 8 CYL. DS 32V Ø 127 mm

### CODE | CODICE

- 
- DC 9.11 + 13 / DC 9E.02 / DC 11.08 / DC 11.09
- DT 9.18
- DC 12.06 / DC 12.07 / DC 12.10
- DT 12.03 / DT 12.06 / DT 12.10
- DC 16.01 + 03 / DT 16.08
- FROM ENGINE / DAL MOTORE N° 1018725SSS

## MODELS\* | MODELLI\*

### SCANIA

- 
- 4-SERIES 94 - 124 - 164 - 4-SERIES BUS K 94 - IRIZAR CENTURY - PB
- K-SERIES K - K-SERIES BUS K - OMNICITY - P.G.R.T SERIES

DESCRIPTION   DESCRIZIONE	P/N		CROSS REFERENCES   CORRISPONDENZE			
	GA	OE	RNZ	EK	LE.MA	PY
<b>CYLINDER HEAD GASKET SET, WITH H.G.</b> KIT GUARNIZIONI TESTATA, CON T.C.	<b>054026-1000<sup>^A</sup></b>		03-34885-02	798.690		
<b>CYLINDER HEAD GASKET, METAL-RUBBER - FPM (FLUORIDE-RUBBER)</b> GUARNIZIONE, TESTATA, METALLO-GOMMA - FPM (GOMMA AL FLUORO)	<b>104026-8500</b>	1893054 1892765	61-34885-10	247.491	10955.12	
<b>CYLINDER HEAD COVER GASKET - UPPER</b> GUARNIZIONE COPRITESTATA - SUPERIORE	<b>114025-8000</b>	1505366	71-38381-00	374.420	20941.06	JM7134
<b>CYLINDER HEAD COVER GASKET - LOWER</b> GUARNIZIONE COPRITESTATA - INFERIORE	<b>114026-8000</b>	1449542	71-38379-00	379.310	20951.04	JM7174

<sup>^A</sup> **With valve stem seals, set for 1 cylinder -** Con paraolio guidavalvole, kit per 1 cilindro

054040-1000

# CYLINDER HEAD GASKET SET - KIT GUARNIZIONI TESTATA SCANIA



104035-8500



114025-8000



114026-8000



## ENGINES\* | MOTORI\*

### DISPLACEMENT | CILINDRATA

9.300 cc 5 CYL. DS 20V Ø 130 mm  
12.700 cc 6 CYL. DS 24V Ø 130 mm

### CODE | CODICE

DC 09.101 / DC 09.102 / DC 09.109 / DC 09.110 / DC 09.114 / DC 09.115 / DC 09.E02  
DC 13.101 + 104 / DC 13.106 + 108 / DC 13.111 + 116 / DC 13.119 + 121  
DT 13.07 / DT 13.10 / DT 13.125  
OC 09.104 / OC 09.105

## MODELS\* | MODELLI\*

### SCANIA

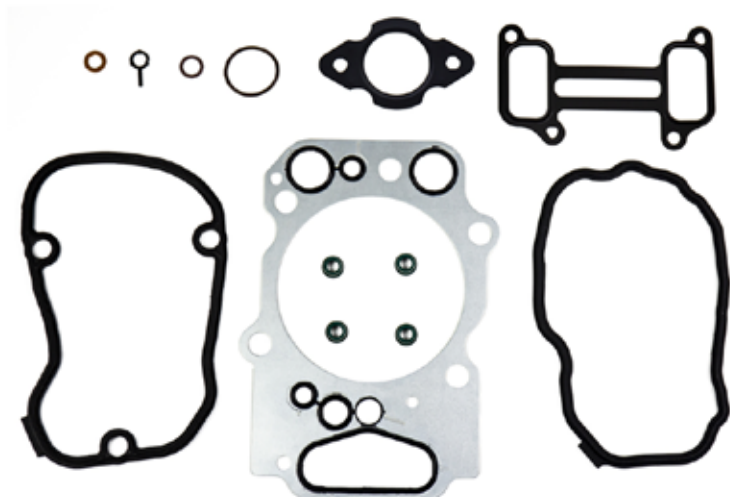
SERIES F - INTERLINK HD 410 - LD 410 - MD410 - IRIZAR - IRIZAR CENTURY

DESCRIPTION   DESCRIZIONE	P/N		CROSS REFERENCES   CORRISPONDENZE			
	GA	OE	RNZ	EK	LE.MA	PY
<b>CYLINDER HEAD GASKET SET, WITH H.G.</b> KIT GUARNIZIONI TESTATA, CON T.C.	<b>054040-1000</b> <sup>^A</sup>	2308200 2117945	03-38305-02	313.211		
<b>CYLINDER HEAD GASKET, METAL-RUBBER - FPM (FLUORIDE-RUBBER)</b> GUARNIZIONE TESTATA, METALLO-GOMMA - FPM (GOMMA AL FLUORO)	<b>104035-8500</b>	1893055	61-38305-10	740.331	10955.11	
<b>CYLINDER HEAD COVER GASKET - UPPER</b> GUARNIZIONE COPRITESTATA - SUPERIORE	<b>114025-8000</b>	1505366	71-38381-00	374.420	20941.06	
<b>CYLINDER HEAD COVER GASKET - LOWER</b> GUARNIZIONE COPRITESTATA - INFERIORE	<b>114026-8000</b>	1449542	71-38379-00	379.310	20951.04	

<sup>^A</sup> **With valve stem seals, set for 1 cylinder** - Con paraolio guidavalvole, kit per 1 cilindro

054035-1000

# CYLINDER HEAD GASKET SET - KIT GUARNIZIONI TESTATA SCANIA



## ENGINES\* | MOTORI\*

### DISPLACEMENT | CILINDRATA

9.300 cc 5 CYL. DS 20V Ø 130 mm  
12.700 cc 6 CYL. DS 24 V Ø 130 mm

### CODE | CODICE

DC 09.22 / DC 09.24 / DC 09.28  
DC 09.108 / DC 09.111 + 113  
DC 13.05 + 07  
DC 13.110 / DC 13.125 / DC 13.139 / DC 13.143 / DC 13.148  
OC 09.101 / OC 09.102 / OC 09.404 / OC 09.405  
OC 13.101

## MODELS\* | MODELLI\*

### SCANIA

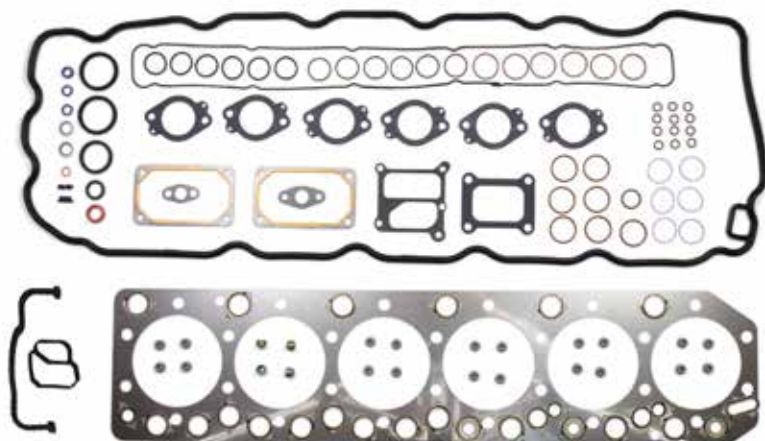
CITYWIDE LE - INTERLINK HD - IRIZAR - IRIZAR CENTURY - IRIZAR PB  
K-SERIES - L,P,G,R,S SERIES S - N SERIES - OMNICITY - OMNIEXPRESS  
OMNILINK - P,G,R,T SERIES - TOURING

DESCRIPTION   DESCRIZIONE	P/N		CROSS REFERENCES   CORRISPONDENZE			
	GA	OE	RNZ	EK	LE.MA	PY
<b>CYLINDER HEAD GASKET SET, WITH H.G.</b> KIT GUARNIZIONI TESTATA, CON T.C.	<b>054035-1000</b> <sup>*A</sup>	1925824 2268357 2308201	03-38305-01	195.720	47105.20	
<b>CYLINDER HEAD GASKET, METAL-RUBBER - FPM (FLUORIDE-RUBBER)</b> GUARNIZIONE, TESTATA, METALLO-GOMMA - FPM (GOMMA AL FLUORO)	<b>104035-8500</b>	1893055 1892766	61-38305-10	740.331	10955.11	
<b>CYLINDER HEAD COVER GASKET - UPPER</b> GUARNIZIONE COPRITESTATA - SUPERIORE	<b>114036-8000</b>	1779110	71-42917-00	195.690	20951.16	
<b>CYLINDER HEAD COVER GASKET - LOWER</b> GUARNIZIONE COPRITESTATA - INFERIORE	<b>114035-8000</b>	1772475	71-42916-00	195.680	20951.14	

<sup>\*A</sup> **With valve stem seals, set for 1 cylinder** - Con paraolio guidavalvole, kit per 1 cilindro

054848-1000

# CYLINDER HEAD GASKET SET - KIT GUARNIZIONI TESTATA VOLVO TRUCKS - RENAULT TRUCKS



104848-8500



114848-8000



## EXPERT'S NOTE - NOTA DELL'ESPERTO

**Unified gasket kit**  
Kit guarnizioni unificato

### ENGINES\* | MOTORI\*

**DISPLACEMENT | CILINDRATA**

10.800 cc 6 CYL. DS 24V Ø 123 mm

**CODE | CODICE**

DXI 11 / DXI 11 330 / DXI 11 370 / DXI 11 440 / DXI 11 450  
D11 / D11 325 / D11 355 / D11 365 / D11 385 / D11 405  
D11A 330 / D11A 370 / D11A 430  
D11 B 390 / D11 B 430  
D11C 330 / D11C 370 / D11C 410 / D11C 450

### MODELS\* | MODELLI\*

**RENAULT**

KERAX 370 - 410 - 450 - PREMIUM 2 DISTRIBUTION 370 - 380 - 410 - 430  
PREMIUM 2 LANDER 380 - 430 PREMIUM 2 ROUTE 330 - 380 - 410

**VOLVO**

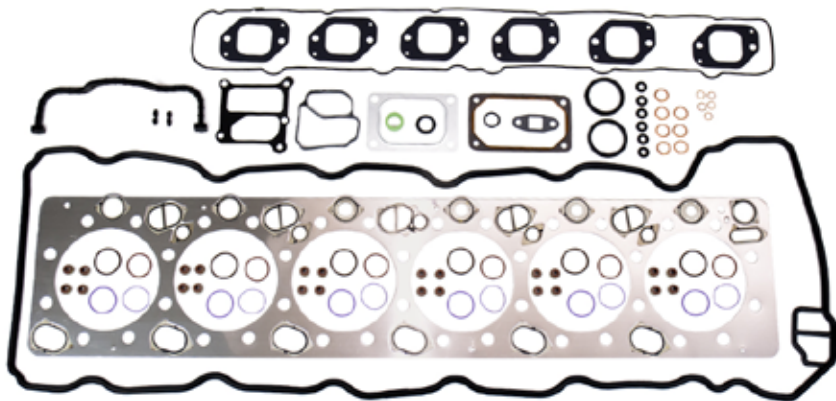
B11 - FM 330 - FM 370 - FM 390 - FM 410 - FM 450  
FMX 330 - FMX 370 - FMX 410 - FMX 450

DESCRIPTION   DESCRIZIONE	P/N		CROSS REFERENCES   CORRISPONDENZE			
	GA	OE	RNZ	EK	LE.MA	PY
<b>CYLINDER HEAD GASKET SET, WITH H.G.</b> KIT GUARNIZIONI TESTATA, CON T.C.	<b>054848-1000</b> <sup>^A</sup>	5001866493 21413877	02-36435-02 02-36435-03	905.580	86805.14	
<b>CYLINDER HEAD GASKET, METAL-RUBBER</b> GUARNIZIONE TESTATA, METALLO-GOMMA	<b>104848-8500</b>	7420495935 20495935 8148046	61-36435-00	225.100	10805.60	
<b>CYLINDER HEAD COVER GASKET</b> GUARNIZIONE COPRITESTATA	<b>114848-8000</b>	7420804638 20804638 8148049	71-39074-00	395.481	20806.65	

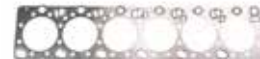
<sup>^A</sup> With valve stem seals - Con cappucci paraolio valvole

054847-1000

# CYLINDER HEAD GASKET SET - KIT GUARNIZIONI TESTATA VOLVO TRUCKS - RENAULT TRUCKS



104847-8500



114847-8000



## ENGINES\* | MOTORI\*

**DISPLACEMENT | CILINDRATA**

12.800 cc 6 CYL. DS 24V Ø 131 mm

**CODE | CODICE**

DXI 13 / DXI 13 440 / DXI 13 460 / DXI 13 480 / DXI 13 500 / DXI 13 520  
D13A 360 / D13A 400 / D13A 440 / D13A 460 / D13A 480 / D13A 500 / D13A 520  
D13B 360 / D13B 400 / D13B 440 / D13B 500  
D13C 380 / D13C 420 / D13C 460 / D13C 500 / D13C 540

## MODELS\* | MODELLI\*

**RENAULT**

KERAX - MAGNUM DXI

**VOLVO**

9700 - 9900  
FH 400 - 420 - 440 - 480 - FH 500 - 520 - 540 - FH II 420 - 460 - FH II 500 - 540  
FM 360 - 380 - FM 400 - 420 - 440 - 460 - 480 - FM 500 - FM II 420  
FMX 380 - FMX 400 - 420 - 460 - FMX 500 - 540 - FMX II 540

DESCRIPTION   DESCRIZIONE	P/N		CROSS REFERENCES   CORRISPONDENZE			
	GA	OE	RNZ	EK	LE.MA	PY
<b>CYLINDER HEAD GASKET SET, WITH H.G.</b> KIT GUARNIZIONI TESTATA, CON T.C.	<b>054847-1000</b> *A	5001867441 21539731 21768034	02-36855-02	899.340		CH7850
<b>CYLINDER HEAD GASKET, METAL-RUBBER</b> GUARNIZIONE TESTATA, METALLO-GOMMA	<b>104847-8500</b>	7421510072 7420513037 21510072 21313537	61-36855-10	548.501		AH7850
<b>CYLINDER HEAD COVER GASKET</b> GUARNIZIONE COPRITESTATA	<b>114847-8000</b>	7420538793 20538793	71-37703-00	156.352		JM7152

\*A With valve stem seals - Con paraolio guidavalvole

\*Find out our complete range: [www.athena.eu](http://www.athena.eu) | \*Per ulteriori informazioni consultate il catalogo online nel nostro sito: [www.athena.eu](http://www.athena.eu)



# ATHESIL SILICONE SEALANT - SIGILLANTE SILICONICO



## M813002000001

- **80 ml TUBE**  
TUBETTO SINGOLO 80 ml

## P300000999002

- **BOX 12 TUBES**  
CONFEZIONE 12 PZ.

### RTV UNIVERSAL SILICONE SEALANT FOR PROFESSIONAL USE SIGILLANTE SILICONICO UNIVERSALE RTV PER USO PROFESSIONALE

Athena proudly introduces Athesil, the new single-component RTV silicone compound Made in Germany to answer the specific needs of professional technicians and mechanics in the automotive, marine, motorcycle, heavy duty and off-road industries. Athesil bonds, seals, repairs, and secures, and is excellent for formed-in-place gasketing (FIPG).

Athesil is a room-temperature-vulcanizing (RTV) silicone, it is non-flammable, and it is MEKO-free certified: it contains no solvents or carcinogenic substances, and does not release corrosive vapors while curing.

Athena presenta Athesil, il nuovo sigillante silconico RTV monocomponente Made in Germany sviluppato secondo le esigenze specifiche di tecnici e professionisti del settore automotive, nautico, motociclistico, industriale e fuoristrada. Athesil unisce, sigilla, ripara, corregge e fissa, e può essere utilizzato come guarnizione "formed-in-place" (FIPG).

Athesil polimerizza con l'esposizione all'umidità dell'aria, non è infiammabile ed è certificato MEKO-Free: non contiene solventi né sostanze cancerogene, e non rilascia vapori corrosivi durante la presa.

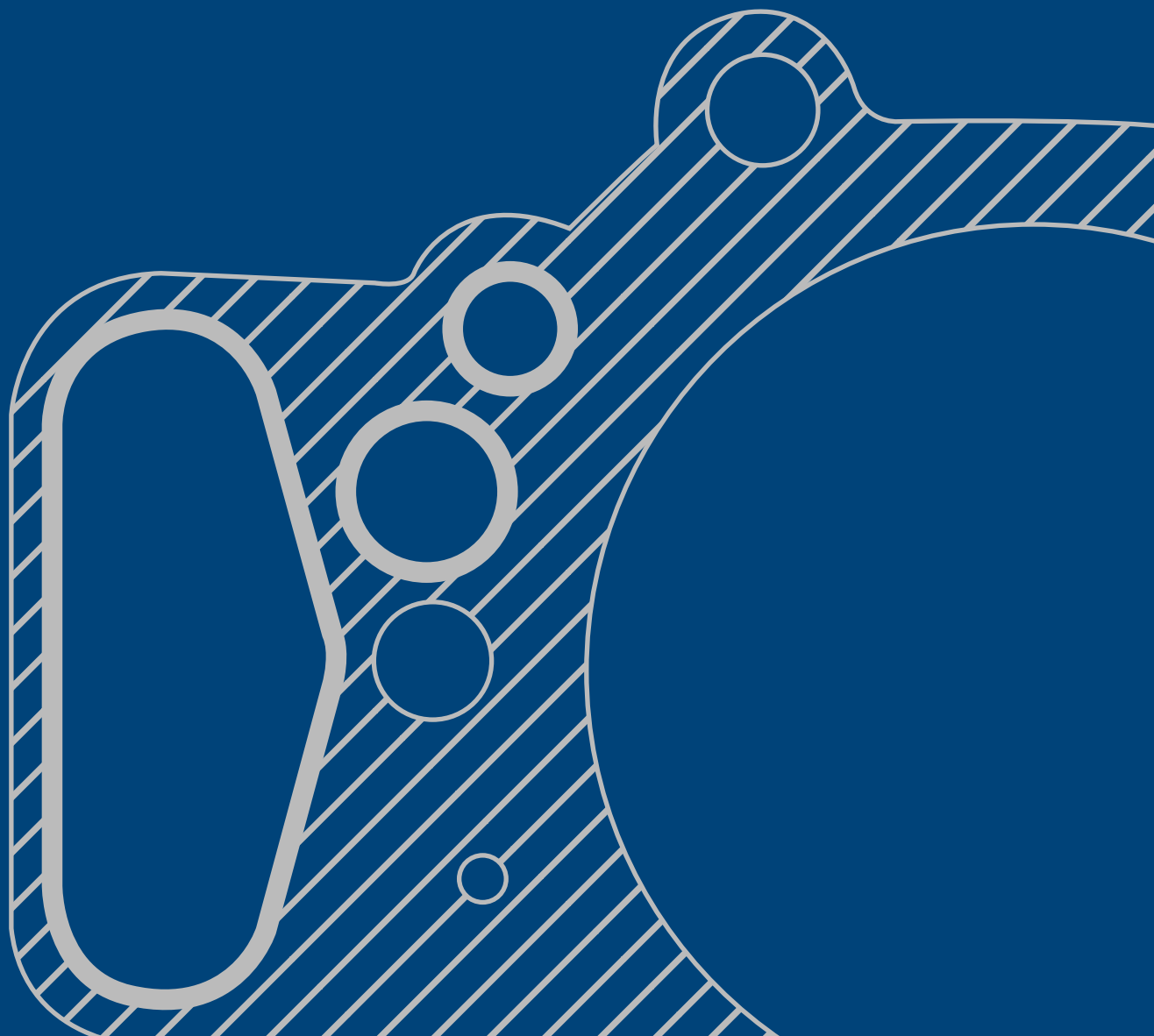
MEASURABLE VARIABLES   VARIABILI MISURATE	VALUE   VALORE	TEST STANDARD   NORMA DI RIFERIMENTO
<b>DENSITY</b> DENSITÀ	1,22 g/cm <sup>3</sup> + 0,02	DIN EN ISO 1181
<b>ELASTIC RECOVERY</b> RITORNO ELASTICO	> 70%	DIN EN ISO 7389-B
<b>MODULUS 100%</b> MODULO DI ELASTICITÀ 100%	< 0,4 N/mm <sup>2</sup>	DIN EN ISO 8339
<b>ELONGATION AT BREAK</b> ALLUNGAMENTO A ROTTURA	> 500%	DIN EN ISO 527-2
<b>TENSILE STRENGTH</b> RESISTENZA ALLA TRAZIONE	1,7N/mm <sup>2</sup>	DIN EN ISO 527-2
<b>FIRE BEHAVIOR ACCORDING</b> COMPORTAMENTO AL FUOCO	Classe E	DIN EN ISO 13501

All technical data are based on laboratory tests. ATHENA S.p.A reserves the right to modify or update the characteristics of its product without obligation to anyone. Tutti i dati tecnici si basano su test di laboratorio. ATHENA S.p.A. si riserva il diritto di modificare o aggiornare le caratteristiche del proprio prodotto senza obbligo per nessuno.









Guarnitauto of **Athena SPA**  
via delle Albere 13, 36045 Alonte (VI) - Italia  
tel **+39 039 6894456**  
mail: [auto@athena.eu](mailto:auto@athena.eu)  
[www.guarnitauto.com](http://www.guarnitauto.com) - [athena.eu](http://athena.eu) 

A BRAND OF  **ATHENA**